



ALUMINIUM | **2024**
CATALOG | **2025**

Welcome

Our company was established in February 2002 as a steel service centre focused on supplying steel-related products to the manufacturing industry.

Thanks to our team's extensive knowledge and skill, we quickly became one of the market leaders in steel and aluminium manufacturing of windows, doors & garage doors.

At Robmeg Steel, we are committed to manufacturing quality products that are both efficient and cost-effective. Our main pillars of quality and service ensure that we consistently deliver on our promises.

As a family-run business, we believe in treating our staff with equality, compassion, and respect. This approach has created a cohesive team that works together effectively, with a strong sense of camaraderie, dignity, and job satisfaction.

Innovation is a core part of our company culture, and we are proud to be market leaders in our product design. Our focus on innovation allows us to improve the quality and efficiency of our products continually.

We are excited to showcase our comprehensive range of products, which includes aluminium windows, doors, sliding doors, and folding doors, as well as metal windows and doors, and garage doors, including sectional garage doors.

At Robmeg Steel, we take great pride in providing our customers with a diverse selection of top-quality products. Our aluminium windows and doors are designed to be both stylish and durable, making them an excellent choice for any home or business. Our sliding doors are perfect for creating a seamless transition between indoor and outdoor spaces, while our folding doors offer an innovative and space-saving solution.

In addition to our aluminium products, we also offer a wide range of metal windows and doors. These products are built to last and provide excellent security and protection.

Our garage doors, including sectional garage doors, are designed to be both functional and stylish, adding value to any property.

We believe that our extensive product range reflects our commitment to providing our customers with the very best in quality and value. Whether you are looking for aluminium windows and doors, metal windows and doors, or garage doors, we are confident that we have the perfect product to meet your needs.

**Windows and doorways are
the openings to the world,
inviting us to embrace
endless opportunities.**



Aluminium Product Range

We are excited to introduce our range of high-quality aluminium products, which includes a variety of windows and doors.

Our aluminium windows are available in both top and side hung configurations, providing versatile options to suit your specific needs.

Our aluminium doors are designed to be both stylish and functional, offering excellent security and energy efficiency.

For those looking to create a seamless transition between indoor and outdoor spaces, our aluminium sliding doors are an excellent choice. They provide a modern and elegant look while allowing natural light to flood into your home or business.

Our aluminium stacking doors are a fantastic solution for those who want to maximise space and create an open and inviting atmosphere. These doors are easy to operate and can be customised to fit any size opening.

At our company, we take great pride in providing our customers with a wide range of high-quality aluminium products.

We believe that our extensive product range reflects our commitment to excellence and our desire to meet our customers' unique needs.

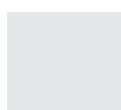
All our windows and doors are manufactured to standard industry sizes with a size tolerance between -2mm and +2mm.

When measuring and placing orders the sizes should be based on the openings as viewed from the outside of the area.

For protection and quality, the products are delivered wrapped to protect against building debris and mess such as cement, plaster, paint, etc.

We recommend only removing the wrapping once all building and painting is complete.

Our standard colours are:



Natural



Bronze



Charcoal



White

Please note that the colour swatches used are only for illustrative purposes and are not an exact replica of the final product colour

Aluminium Doors



Arrow Full Glass
EDAR



Valencia
EDVC



Ilano
EDIL



Elegance
EDEL



Full Pane
EDFP



Americana
EDAM



2 Pane Door
ED2P



4 Pane Horizontal
EDH4



8 Pane Horizontal
EDH8



Staggered
EDST



Criss Cross
EDCC

Aluminium Doors



Staggered Solid
EDSS



Full Slats
EDFS

Aluminium Stable Doors



Stable Horizontal
STH4



Staggered Solid Stable
STSS



Mid Rail Stable
STM R



Half Glass Solid
STHS

Aluminium Pivot Doors



Valencia
PDVC



8 Pane Horizontal
PDH8



Elegance
PDEL

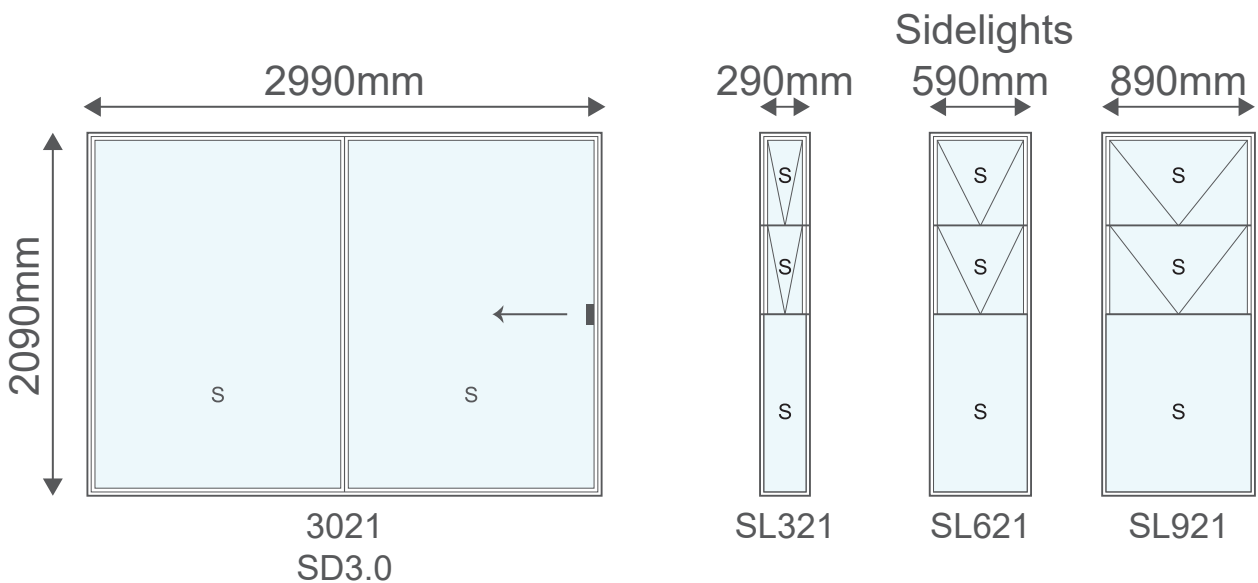
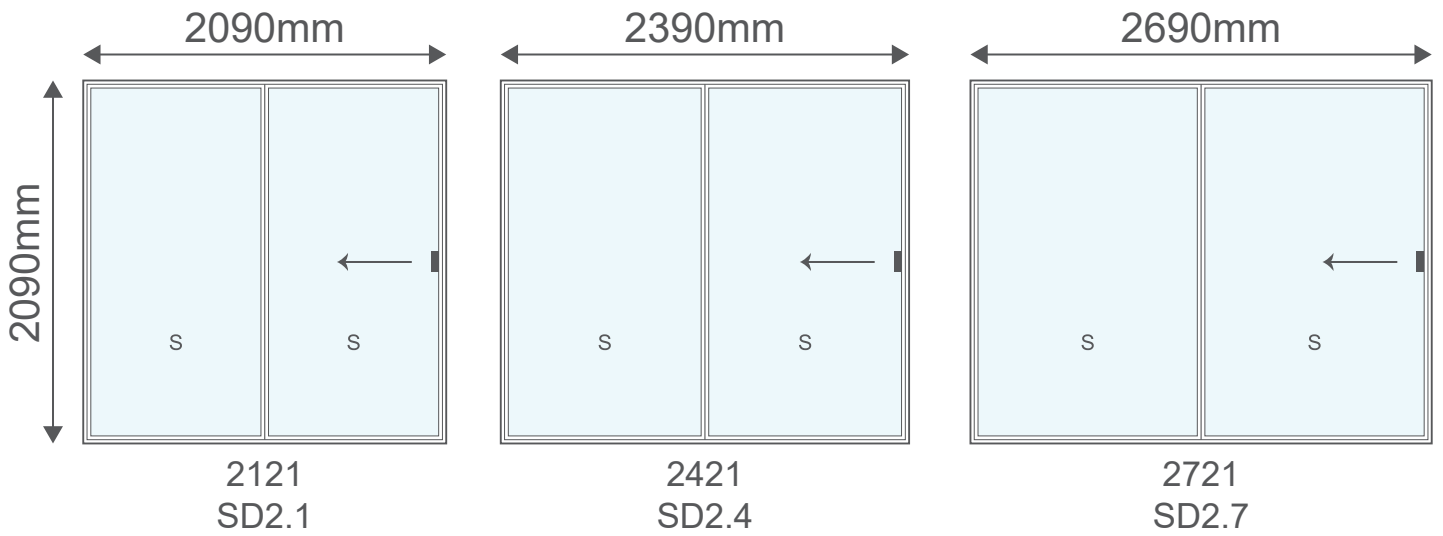
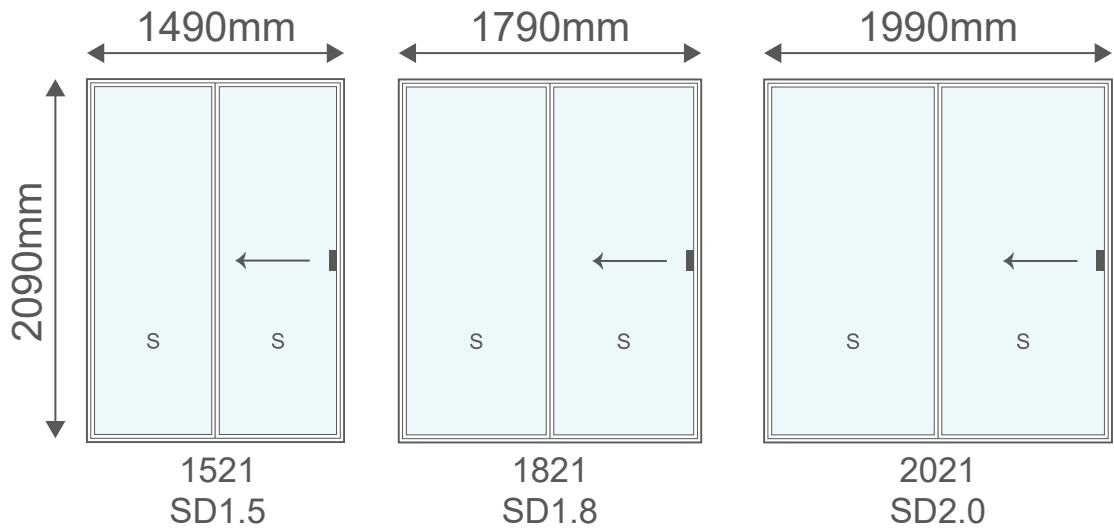


Arrow
PDAR



Valencia with Side Light
ED2P

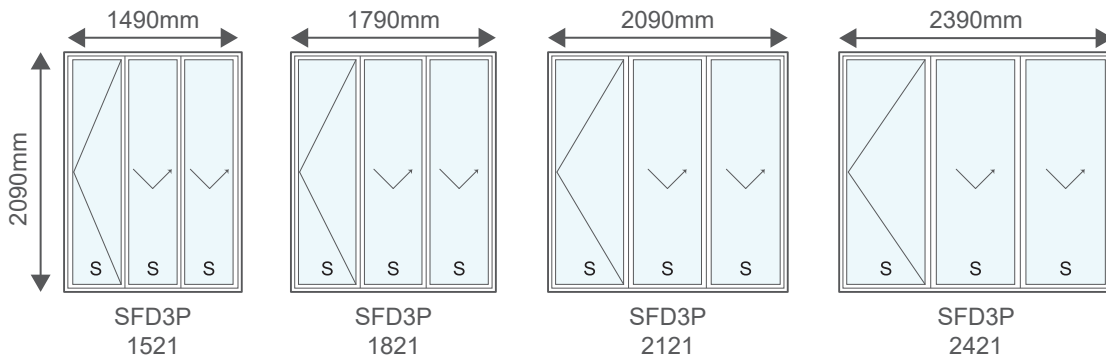
Aluminium Sliding Doors



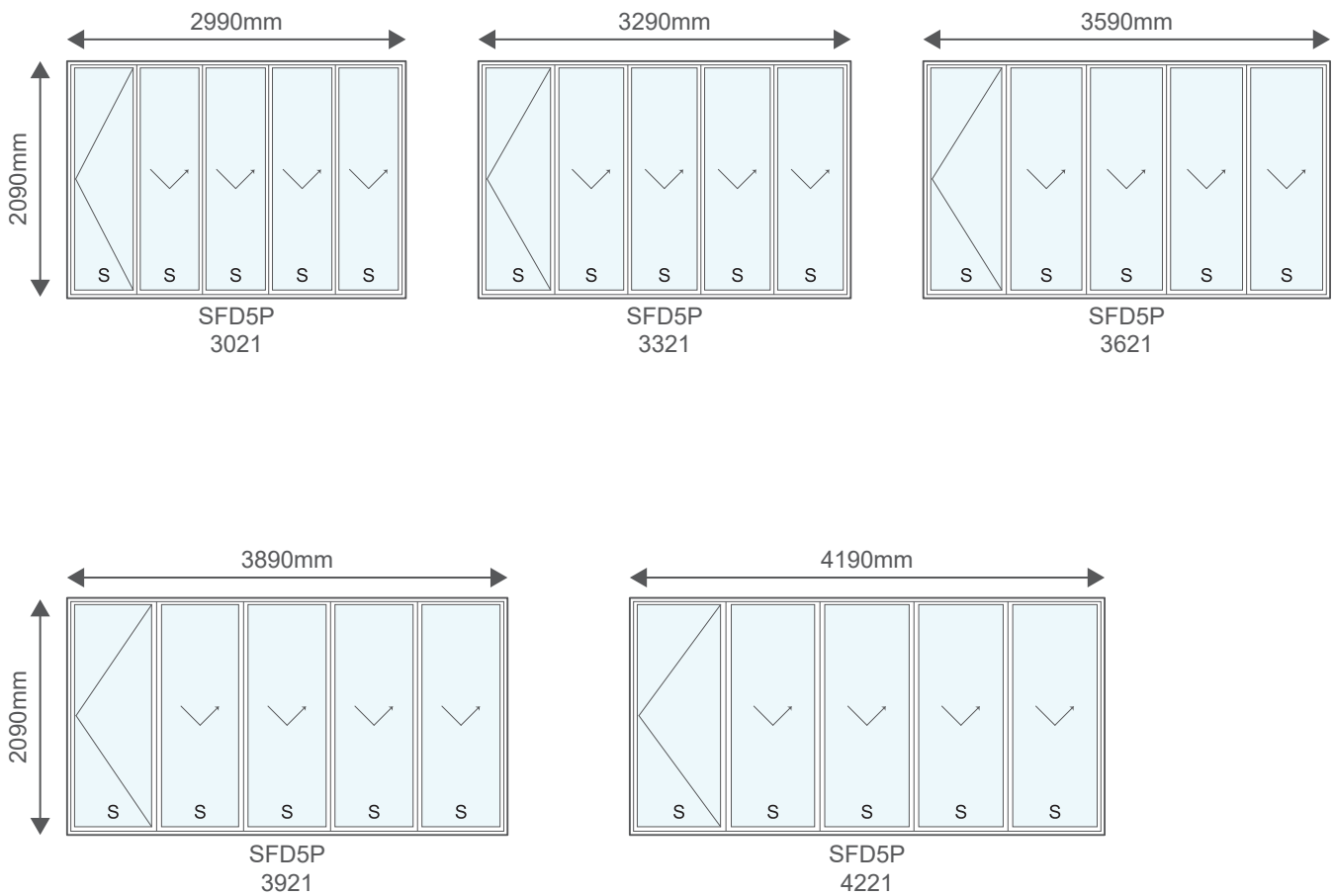
"S" indicates Safety Glass

Aluminium Folding Doors

3 Panels



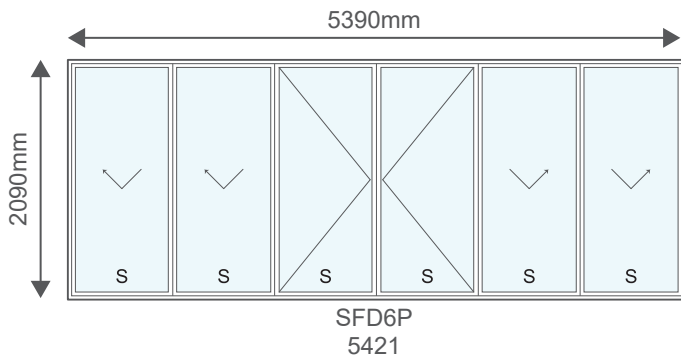
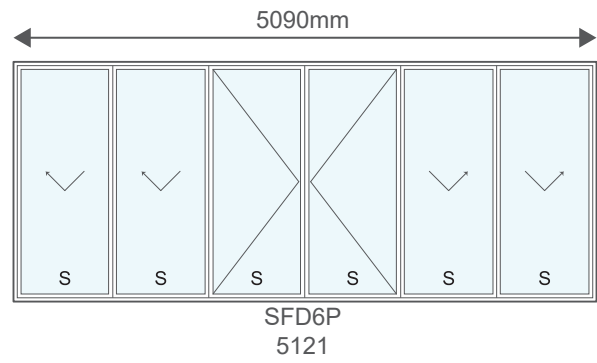
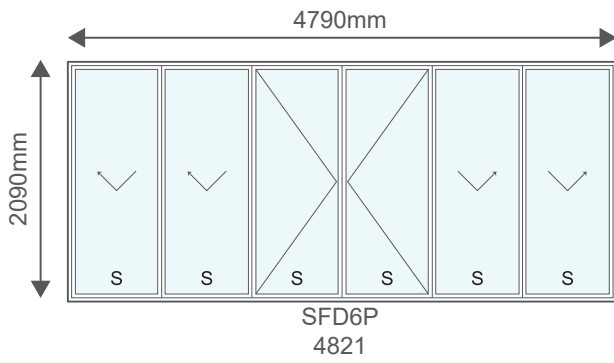
5 Panels



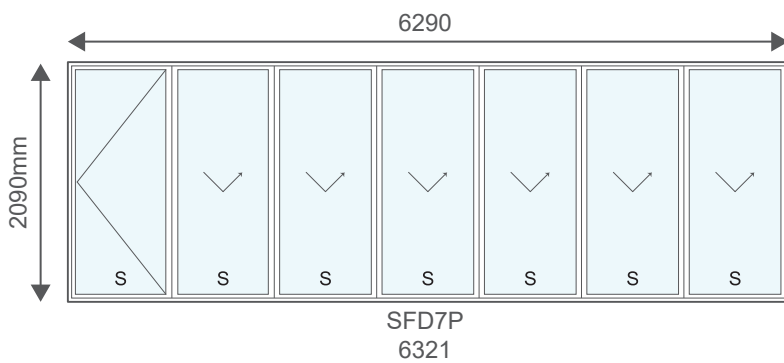
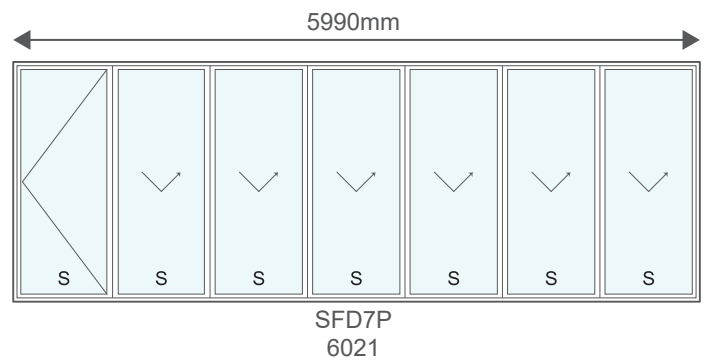
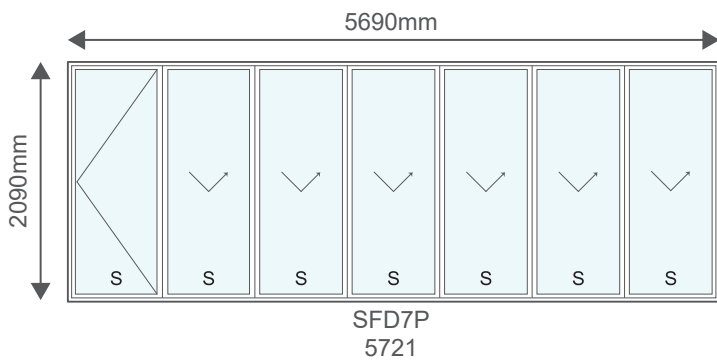
“S” indicates Safety Glass

Aluminium Folding Doors

6 Panels



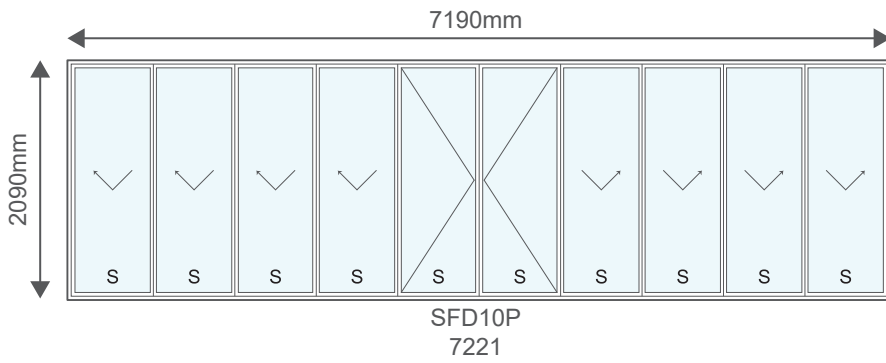
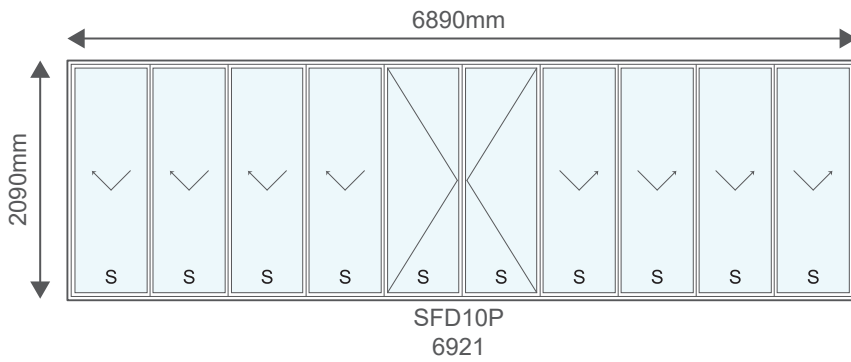
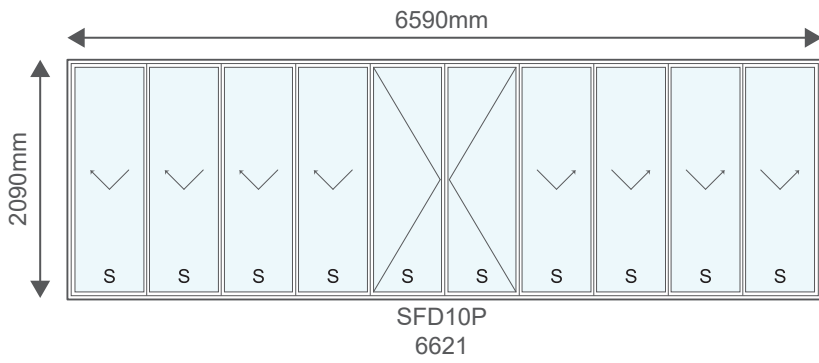
7 Panels



"S" indicates Safety Glass

Aluminium Folding Doors

10 Panels



“S” indicates Safety Glass

Aluminium Windows

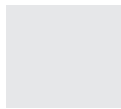
Aluminium windows are extremely durable and resistant to harsh weather conditions.

They have a high corrosion resistance and will not swell, crack, split or warp over time.

Aluminium frames boast a superior lifespan compared to most other materials and require little maintenance.

Aluminium is 100% recyclable, non-toxic and completely sustainable. The recycling process of aluminium requires only 5% of the initial energy required to create it.

The standard colours are:



Natural



Bronze

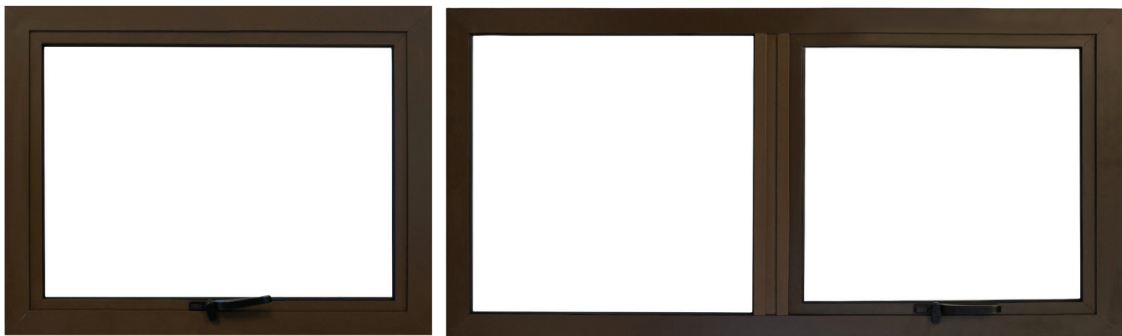


Charcoal

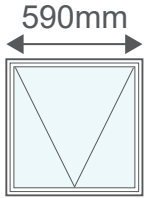


White

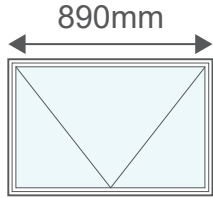
Please note that the colour swatches used are only for illustrative purposes and are not an exact replica of the final product colour



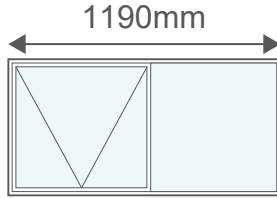
Windows - 590mm (h)



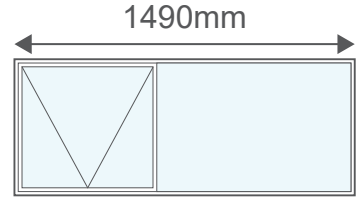
PT66



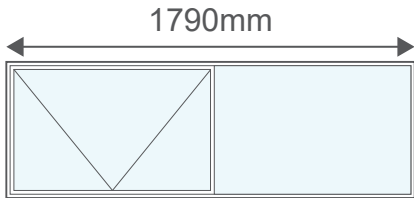
PT96



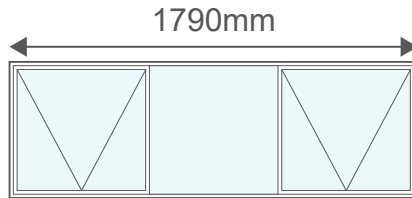
PT126



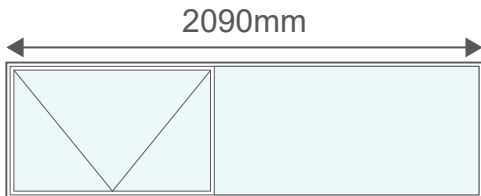
PT156



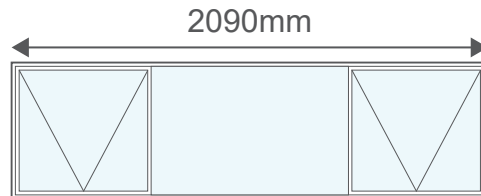
PT186



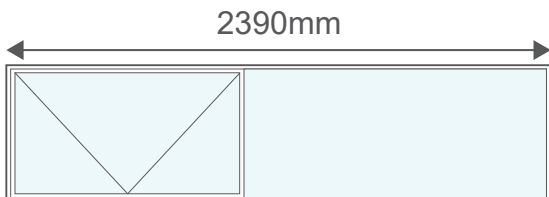
PTT186



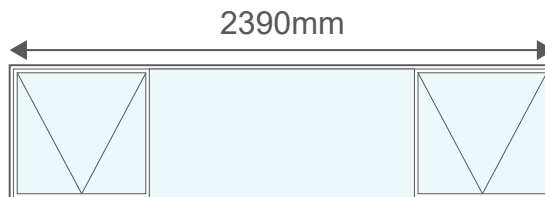
PT216



PTT216

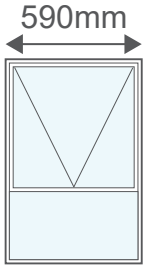


PT246

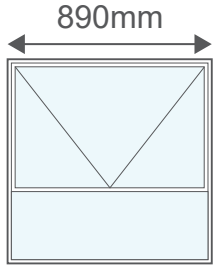


PTT246

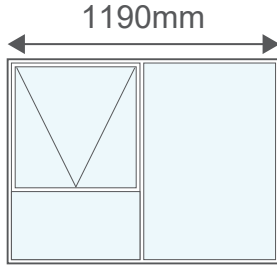
Windows - 890mm (h)



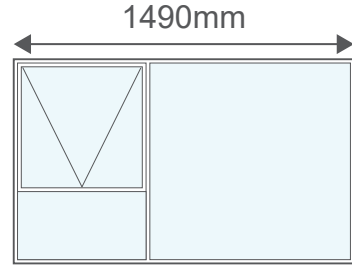
PT69



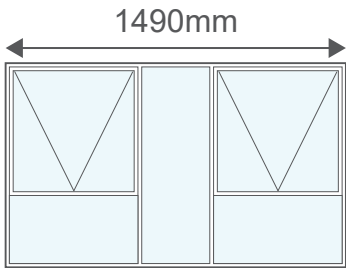
PT99



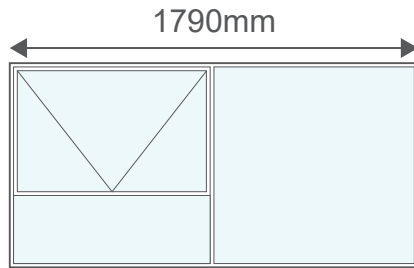
PT129



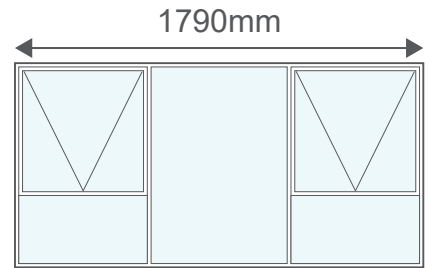
PT159



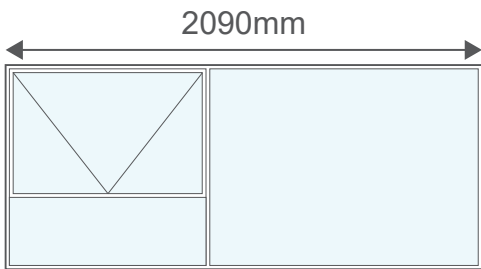
PTT159



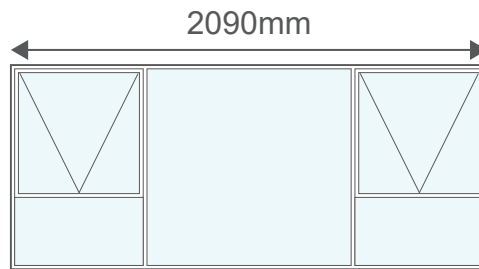
PT189



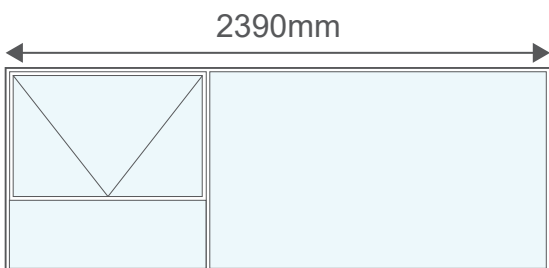
PTT189



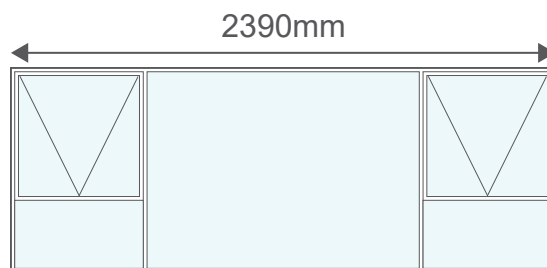
PT219



PTT219

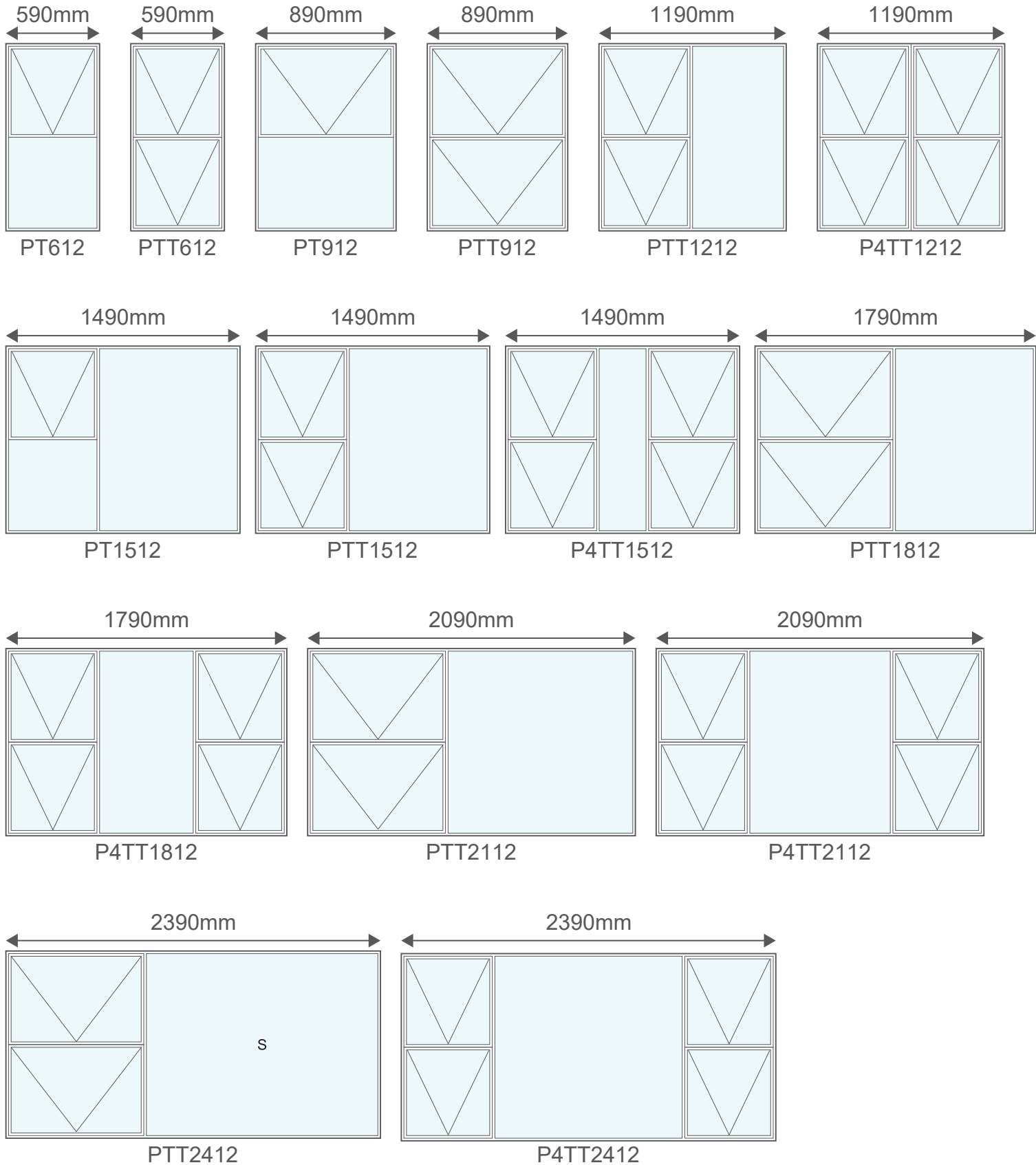


PT249



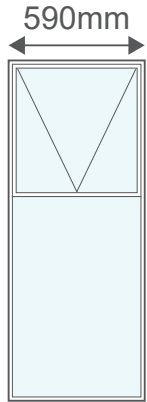
PTT249

Windows - 1190mm (h)

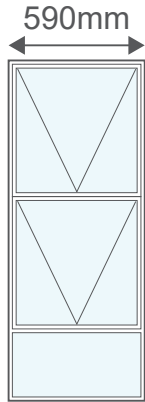


“S” indicates Safety Glass

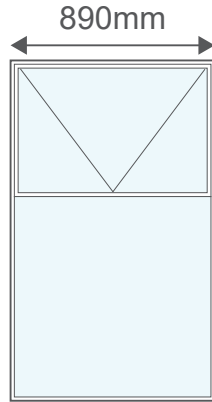
Windows - 1490mm (h)



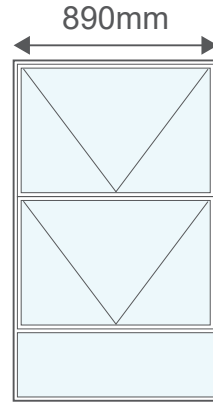
PT615



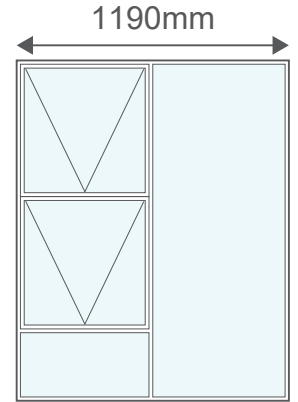
PTT615



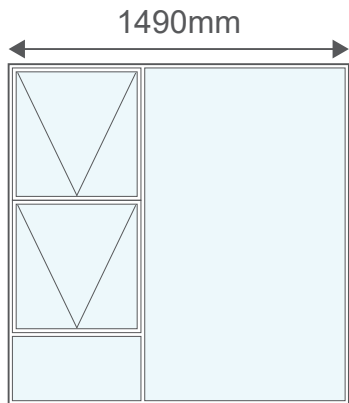
PT915



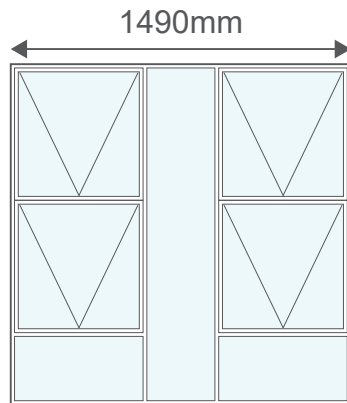
PTT915



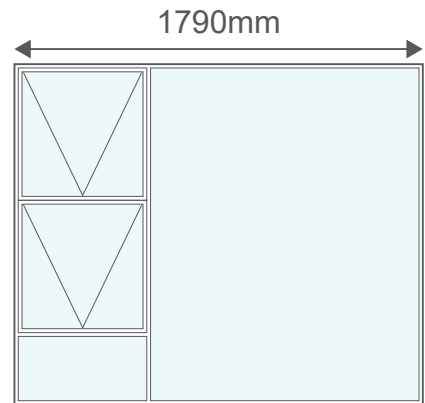
PTT1215



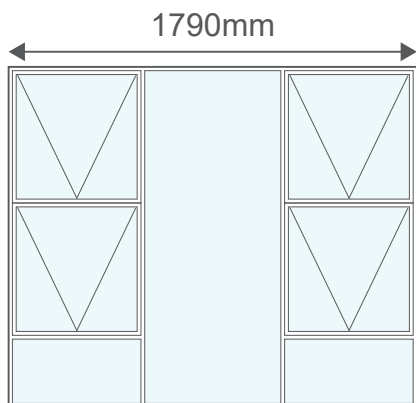
PTT1515



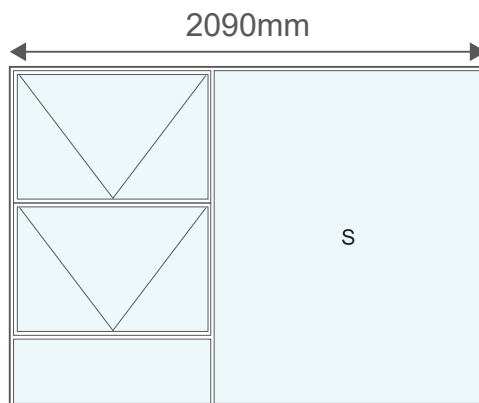
P4TT1515



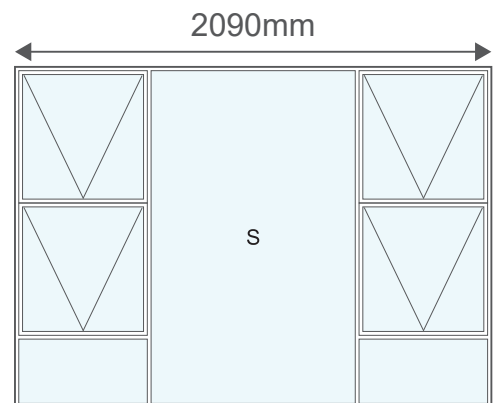
PTT1815



P4TT1815



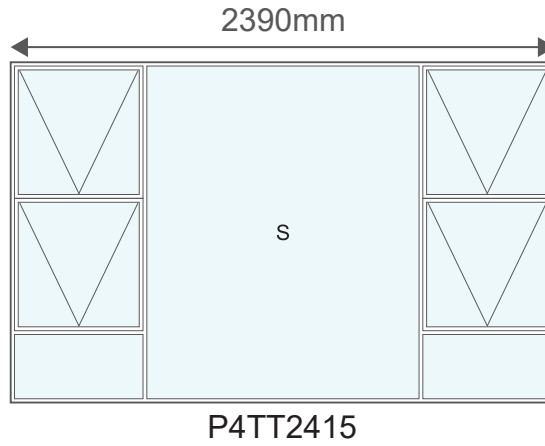
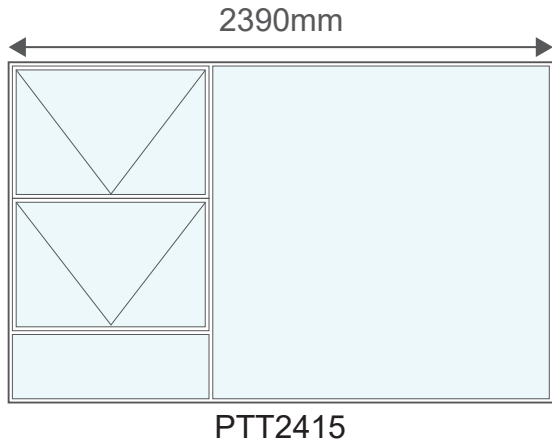
PTT2115



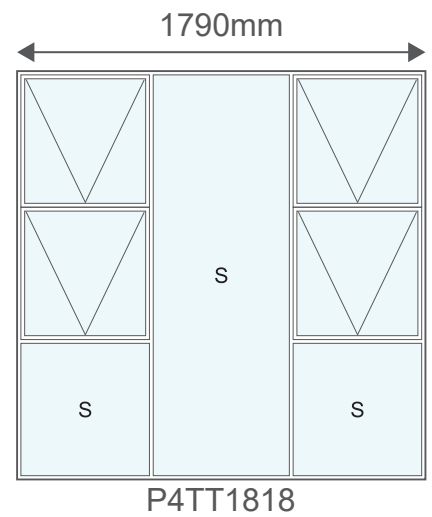
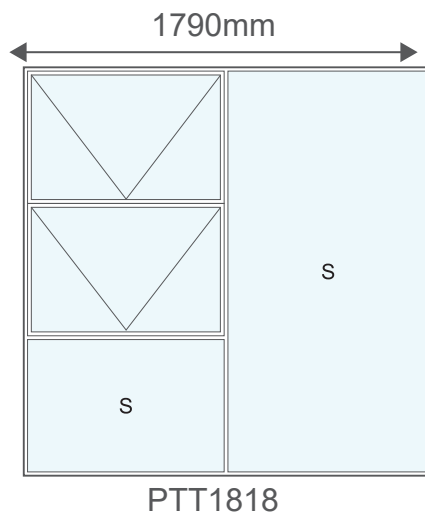
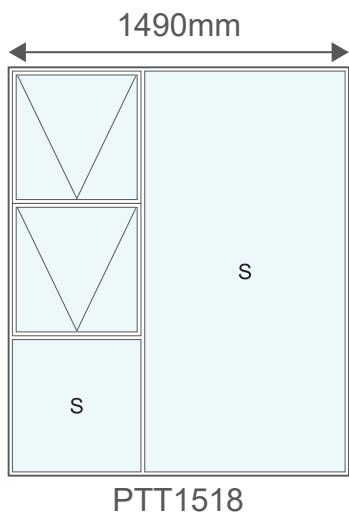
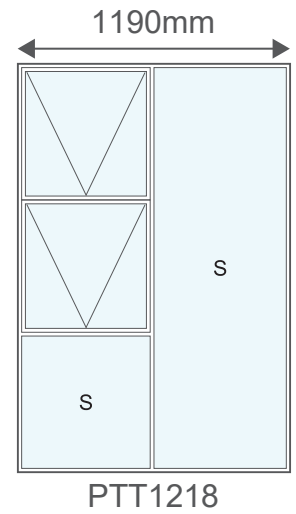
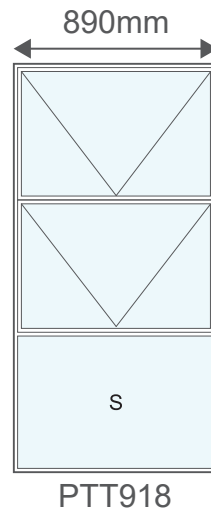
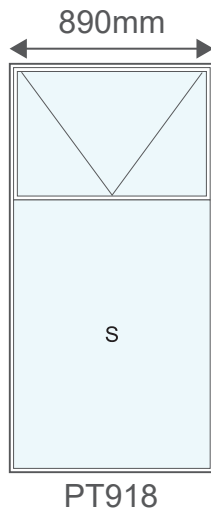
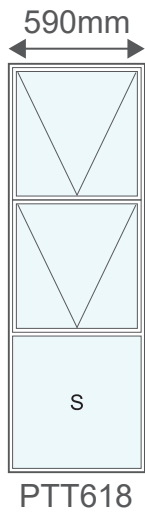
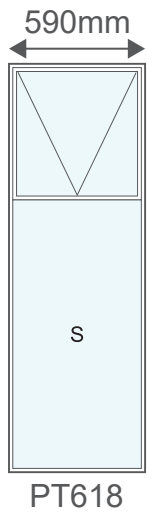
P4TT2115

"S" indicates Safety Glass

Windows - 1490mm (h)

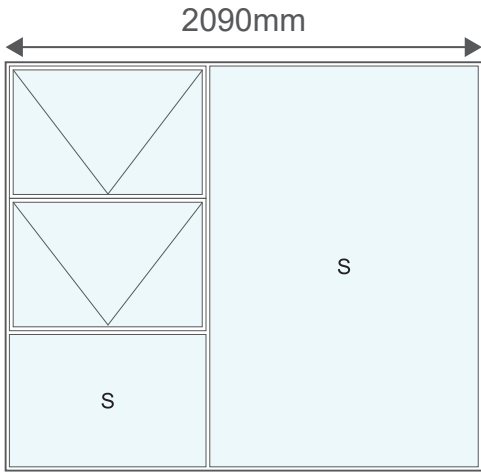


Windows - 1790mm (h)

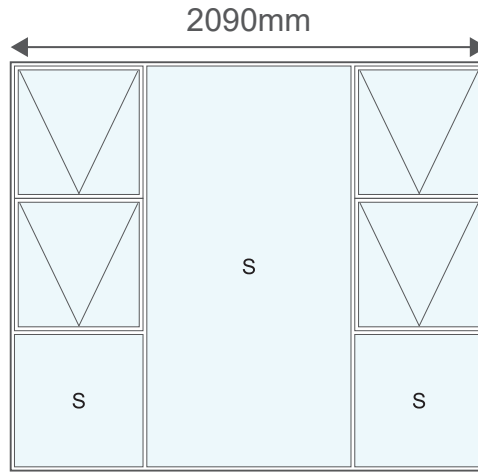


"S" indicates Safety Glass

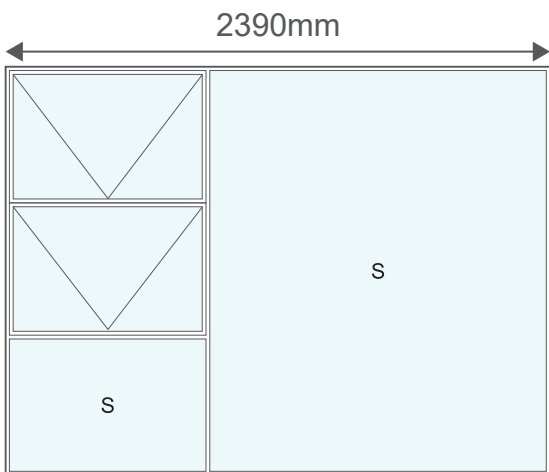
Windows - 1790mm (h)



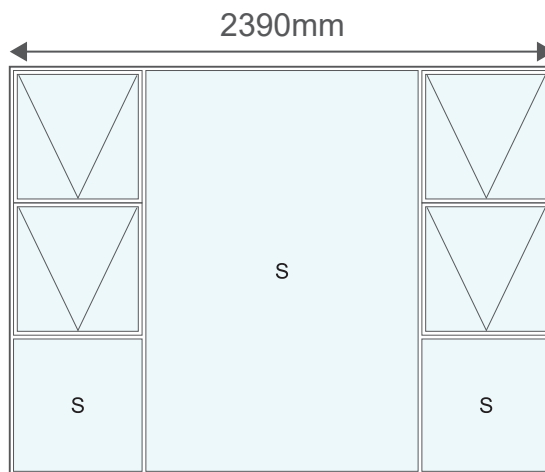
PTT2118



P4TT2118



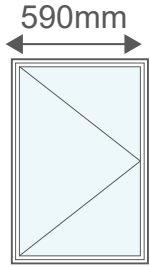
PTT2418



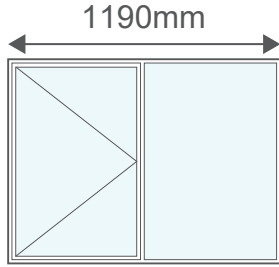
P4TT2418

“S” indicates Safety Glass

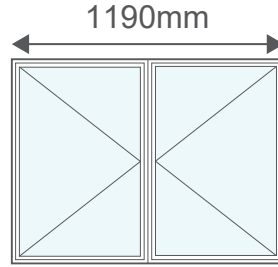
Windows - 890mm (h)



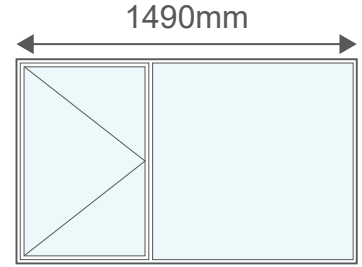
PS69



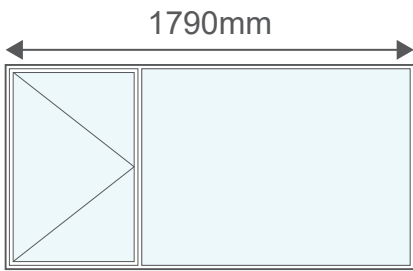
PS129



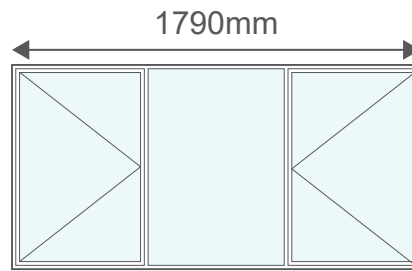
PSS129



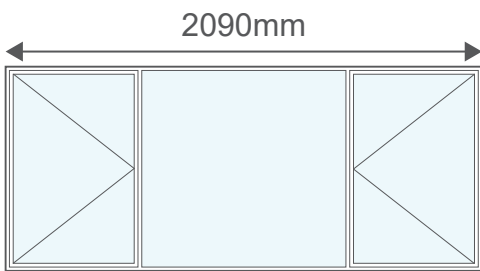
PS159



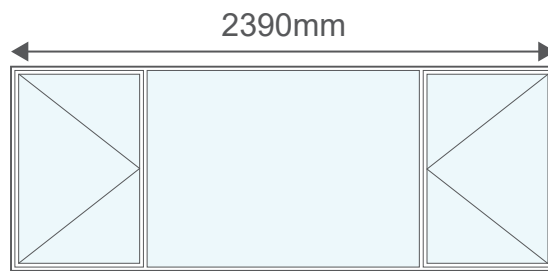
PS189



PSS189

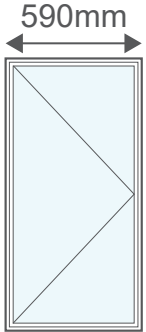


PSS219

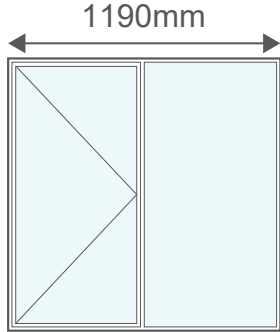


PSS249

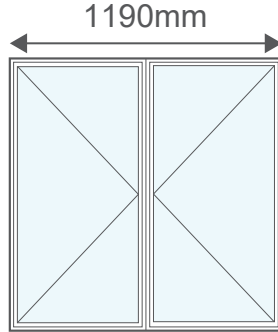
Windows - 1190mm (h)



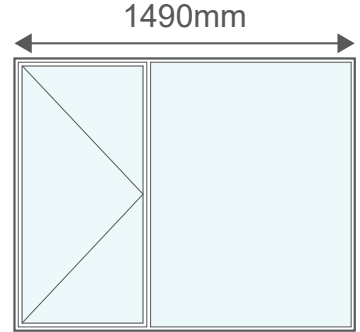
PS612



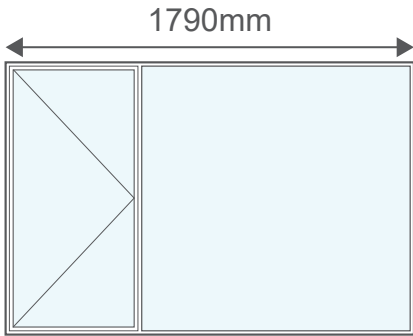
PS1212



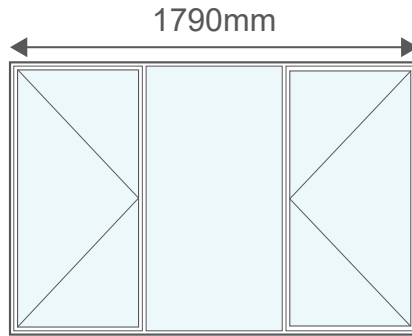
PSS1212



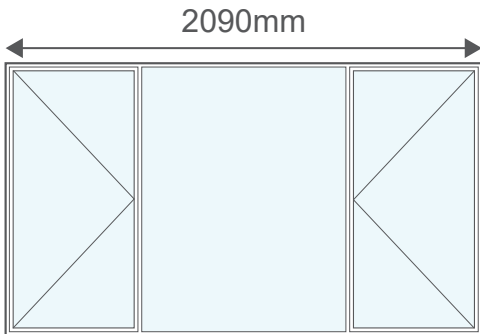
PS1512



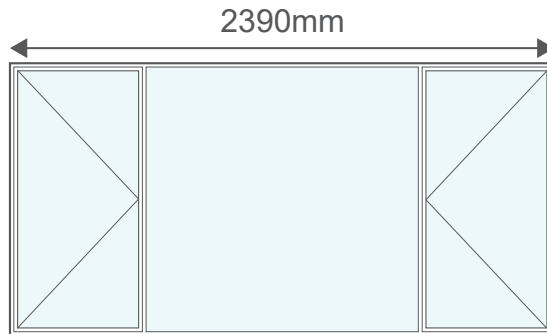
PS1812



PSS1812

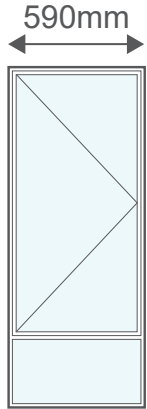


PSS2112

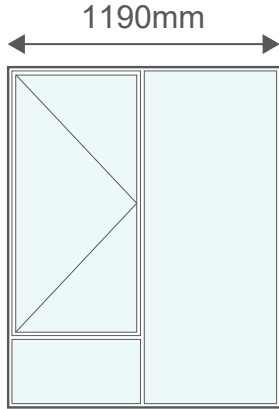


PSS2412

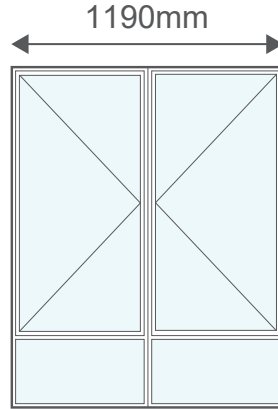
Windows - 1490mm (h)



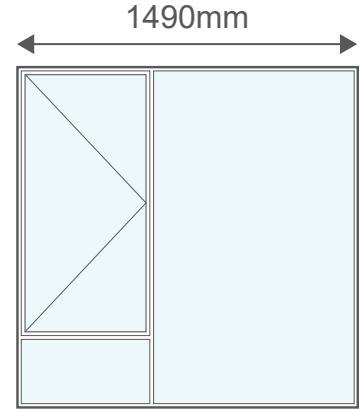
PS615



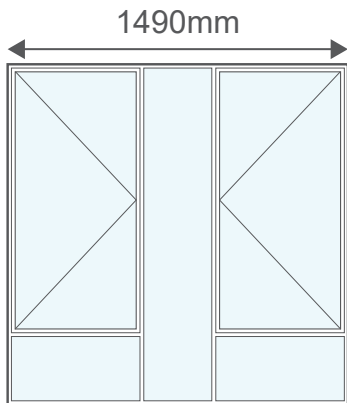
PS1215



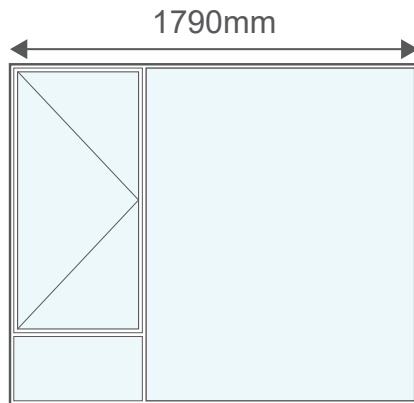
PSS1215



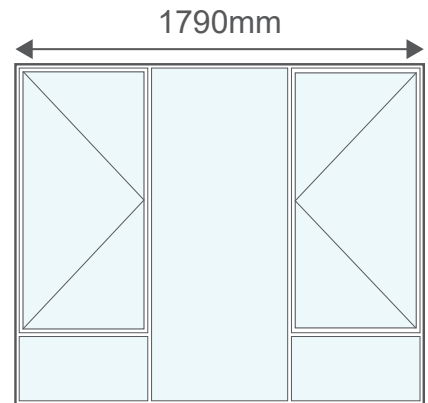
PS1515



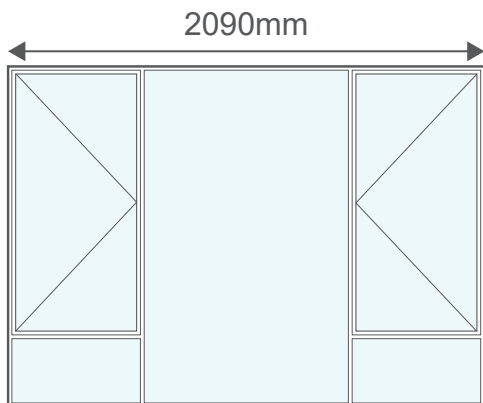
PSS1515



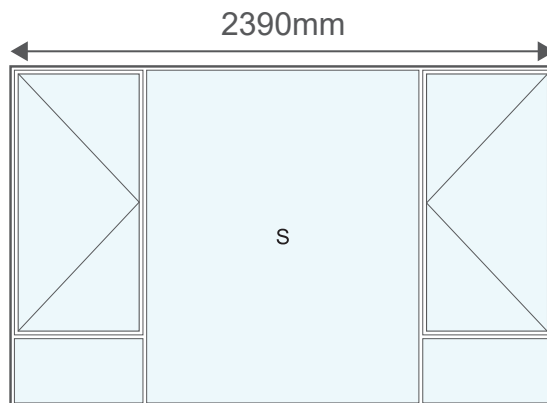
PS1815



PSS1815



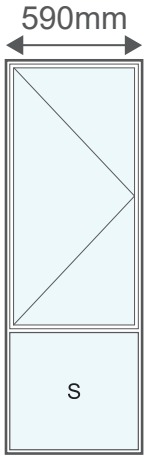
PSS2115



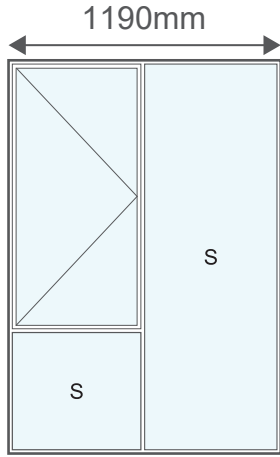
PSS2415

“S” indicates Safety Glass

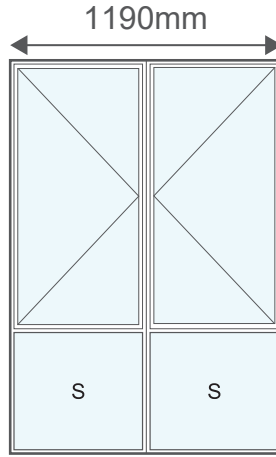
Windows - 1790mm (h)



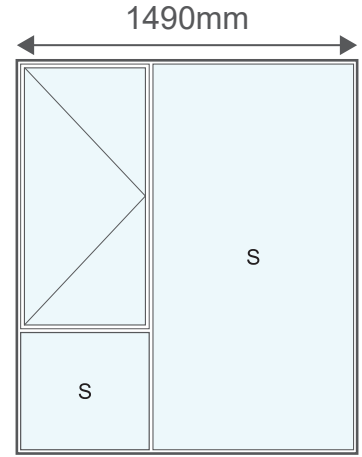
PS618



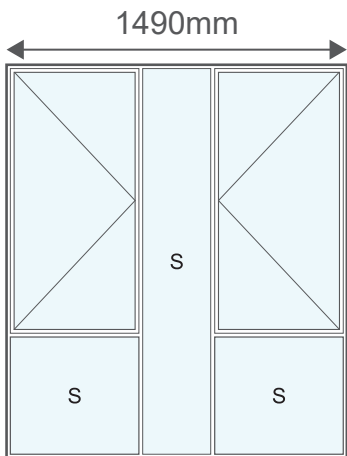
PS1218



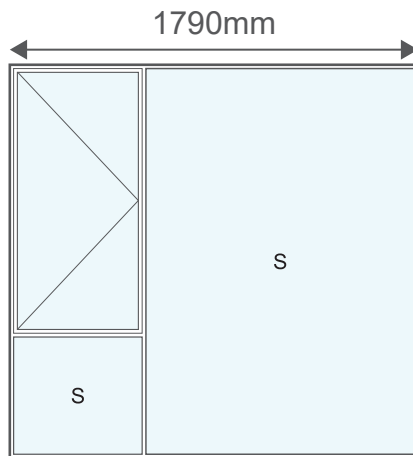
PSS1218



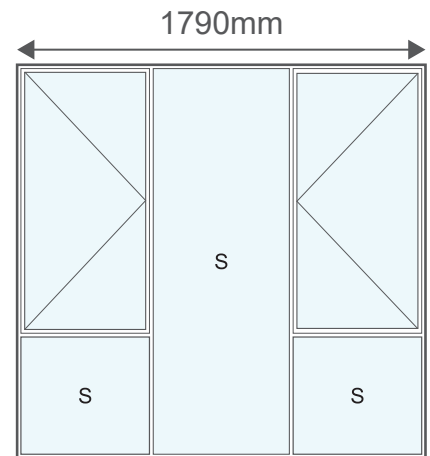
PS1518



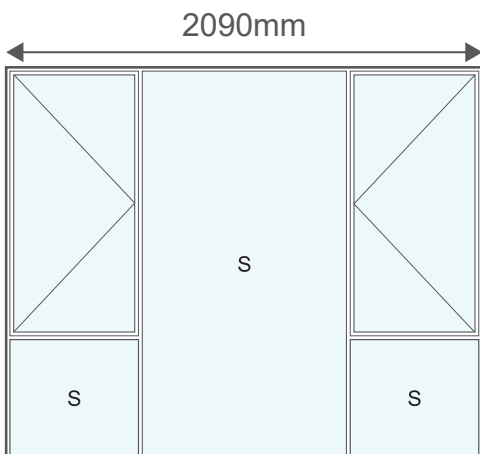
PSS1518



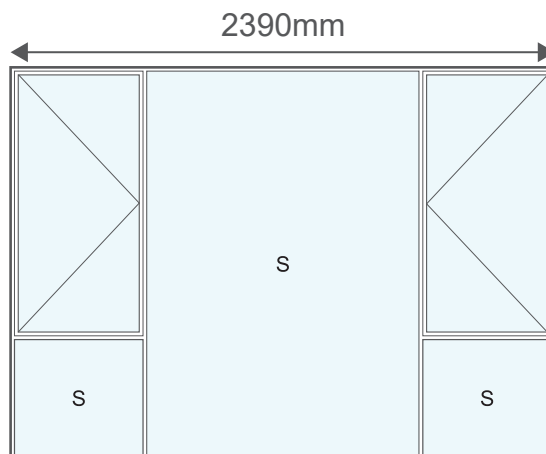
PS1818



PSS1818



PSS2118



PSS2418

"S" indicates Safety Glass

Single Doors

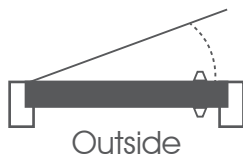
When judging the hand of combination doors, stand outside for open out doors and inside for open in doors.

Open In



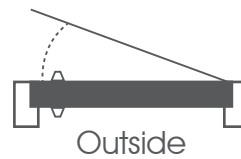
Right Hand

Inside



Left Hand

Inside

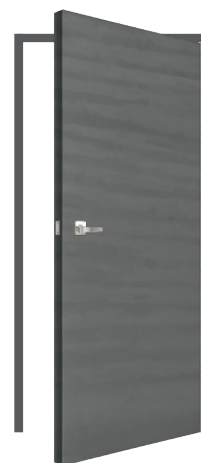
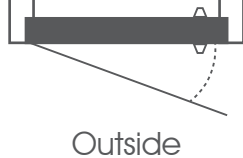


Open Out



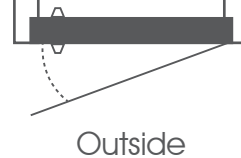
Left Hand

Inside



Right Hand

Inside



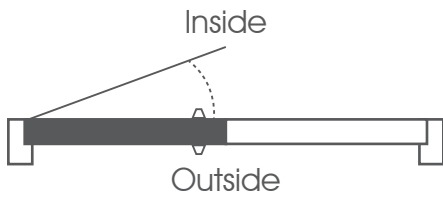
Double Doors

When judging the hand of combination doors, stand outside for open out doors and inside for open in doors.

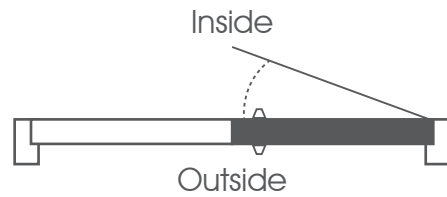
Open In



Left Hand



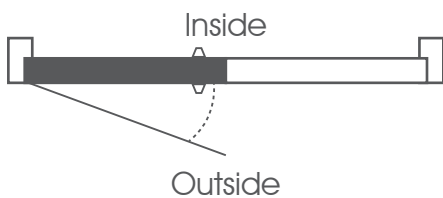
Right Hand



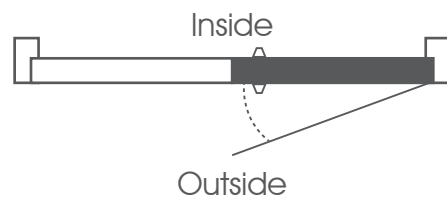
Open Out



Left Hand



Right Hand





ROBMEGSTEEL

the framework of Steel



+27 (11) 974 0024



www.robmeg.co.za



enquiries@robmeg.co.za



22 Monteer Road, Isando

