



PRODUCT | **2024**
CATALOG | **2025**

Welcome

Our company was established in February 2002 as a steel service centre focused on supplying steel-related products to the manufacturing industry.

Thanks to our team's extensive knowledge and skill, we quickly became one of the market leaders in steel and aluminium manufacturing of windows, doors & garage doors.

At Robmeg Steel, we are committed to manufacturing quality products that are both efficient and cost-effective. Our main pillars of quality and service ensure that we consistently deliver on our promises.

As a family-run business, we believe in treating our staff with equality, compassion, and respect. This approach has created a cohesive team that works together effectively, with a strong sense of camaraderie, dignity, and job satisfaction.

Innovation is a core part of our company culture, and we are proud to be market leaders in our product design. Our focus on innovation allows us to improve the quality and efficiency of our products continually.

We are excited to showcase our comprehensive range of products, which includes aluminium windows, doors, sliding doors, and folding doors, as well as metal windows and doors, and garage doors, including sectional garage doors.

At Robmeg Steel, we take great pride in providing our customers with a diverse selection of top-quality products. Our aluminium windows and doors are designed to be both stylish and durable, making them an excellent choice for any home or business. Our sliding doors are perfect for creating a seamless transition between indoor and outdoor spaces, while our folding doors offer an innovative and space-saving solution.

In addition to our aluminium products, we also offer a wide range of metal windows and doors. These products are built to last and provide excellent security and protection.

Our garage doors, including sectional garage doors, are designed to be both functional and stylish, adding value to any property.

We believe that our extensive product range reflects our commitment to providing our customers with the very best in quality and value. Whether you are looking for aluminium windows and doors, metal windows and doors, or garage doors, we are confident that we have the perfect product to meet your needs.

**Windows and doorways are
the openings to the world,
inviting us to embrace
endless opportunities.**



Aluminium Product Range

We are excited to introduce our range of high-quality aluminium products, which includes a variety of windows and doors.

Our aluminium windows are available in both top and side hung configurations, providing versatile options to suit your specific needs.

Our aluminium doors are designed to be both stylish and functional, offering excellent security and energy efficiency.

For those looking to create a seamless transition between indoor and outdoor spaces, our aluminium sliding doors are an excellent choice. They provide a modern and elegant look while allowing natural light to flood into your home or business.

Our aluminium stacking doors are a fantastic solution for those who want to maximise space and create an open and inviting atmosphere. These doors are easy to operate and can be customised to fit any size opening.

At our company, we take great pride in providing our customers with a wide range of high-quality aluminium products.

We believe that our extensive product range reflects our commitment to excellence and our desire to meet our customers' unique needs.

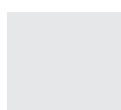
All our windows and doors are manufactured to standard industry sizes with a size tolerance between -2mm and +2mm.

When measuring and placing orders the sizes should be based on the openings as viewed from the outside of the area.

For protection and quality, the products are delivered wrapped to protect against building debris and mess such as cement, plaster, paint, etc.

We recommend only removing the wrapping once all building and painting is complete.

Our standard colours are:



Natural



Bronze



Charcoal



White

Please note that the colour swatches used are only for illustrative purposes and are not an exact replica of the final product colour

Aluminium Doors



Arrow Full Glass
EDAR



Valencia
EDVC



Ilano
EDIL



Elegance
EDEL



Full Pane
EDFP



Americana
EDAM



2 Pane Door
ED2P



4 Pane Horizontal
EDH4



8 Pane Horizontal
EDH8



Staggered
EDST



Criss Cross
EDCC

Aluminium Doors



Staggered Solid
EDSS



Full Slats
EDFS

Aluminium Stable Doors



Stable Horizontal
STH4



Staggered Solid Stable
STSS



Mid Rail Stable
STM R



Half Glass Solid
STHS

Aluminium Pivot Doors



Valencia
PDVC



8 Pane Horizontal
PDH8



Elegance
PDEL

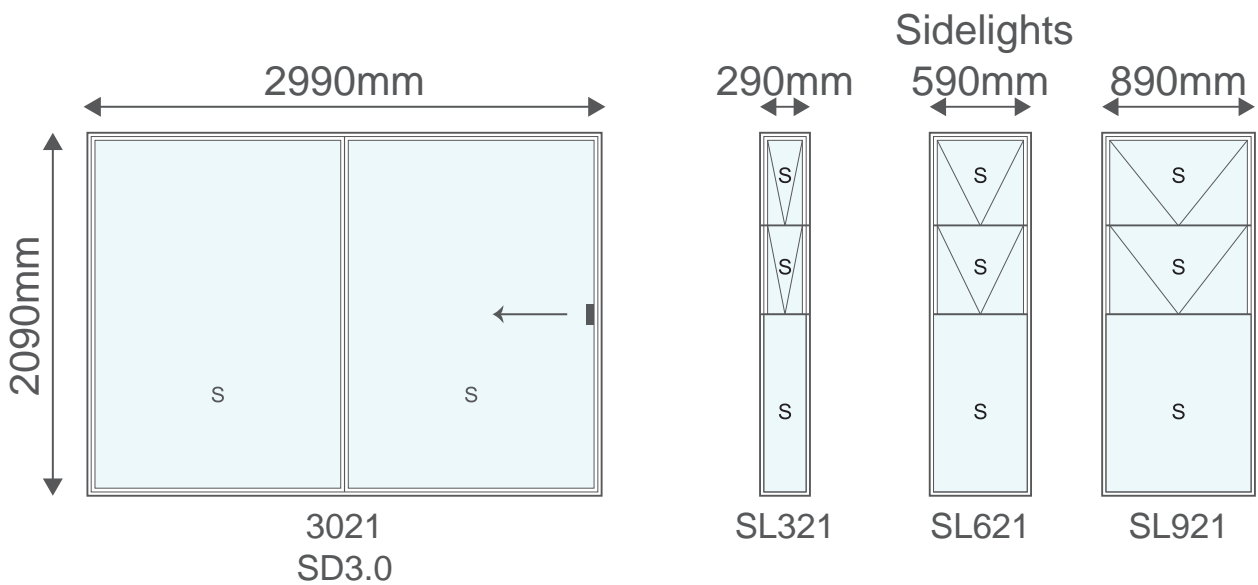
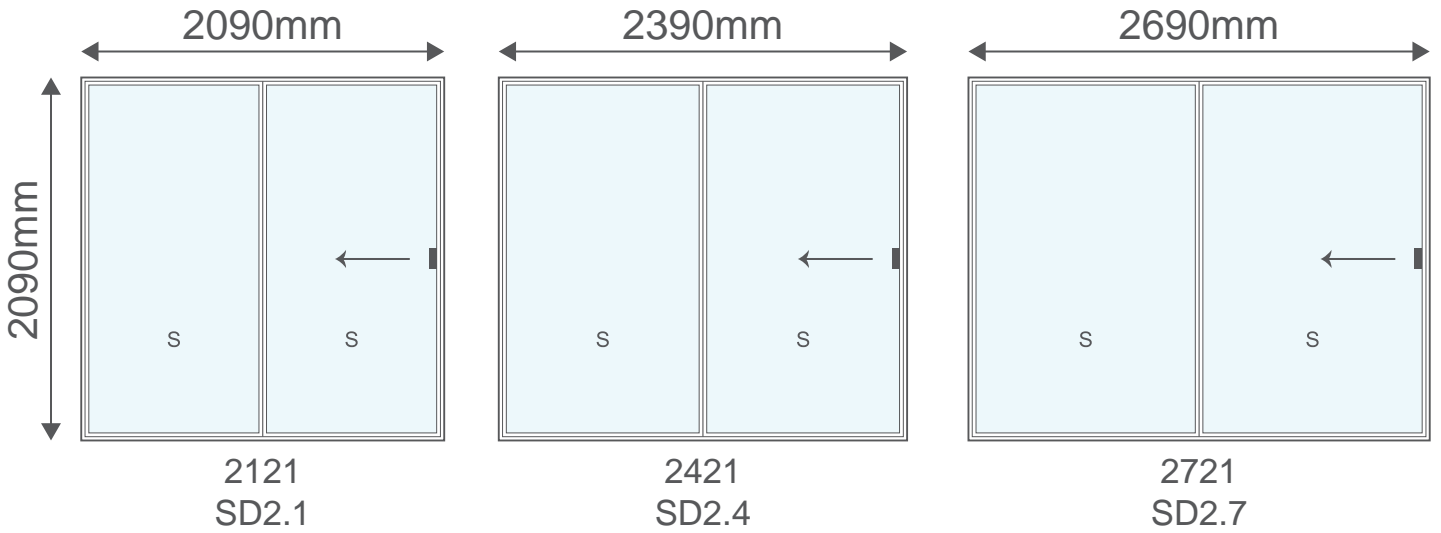
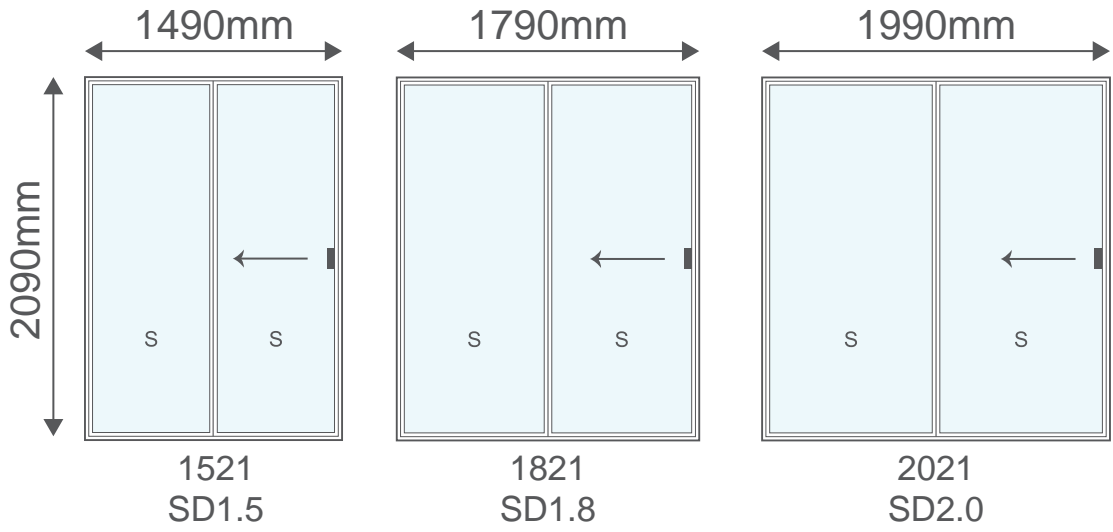


Arrow
PDAR



Valencia with Side Light
ED2P

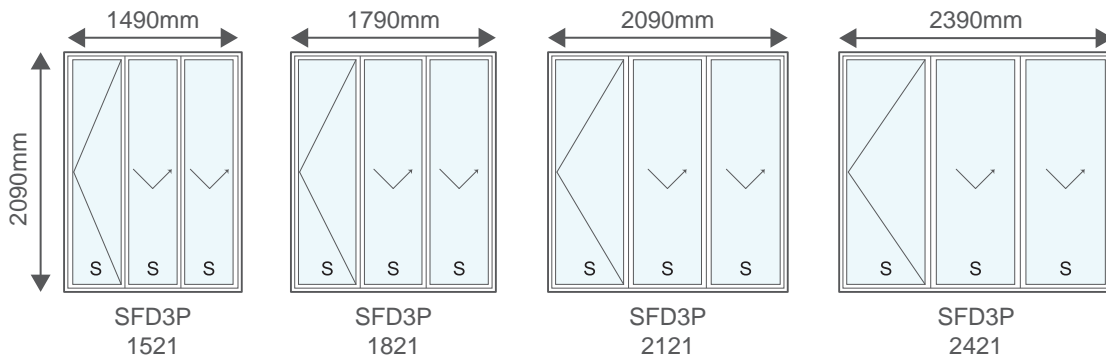
Aluminium Sliding Doors



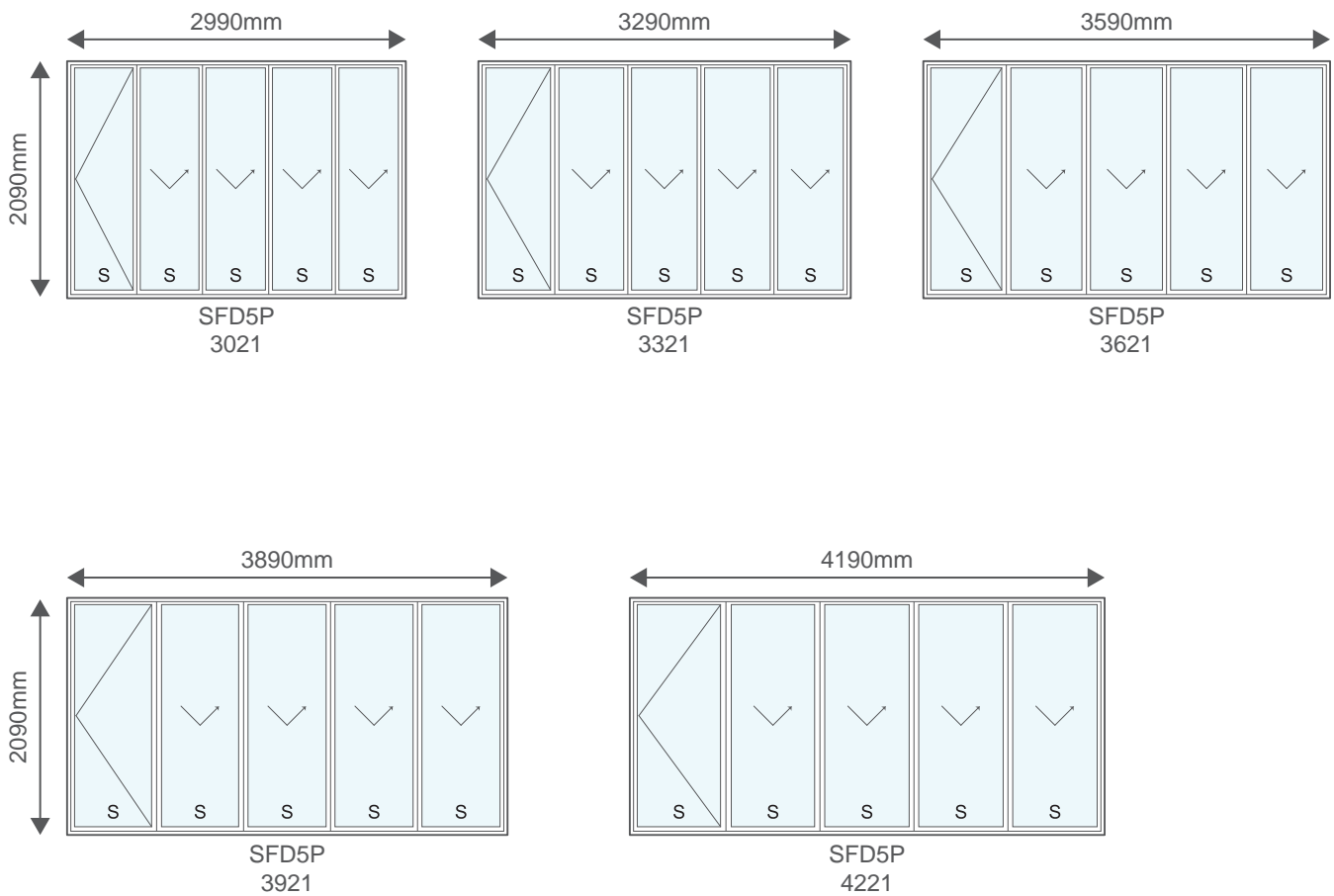
"S" indicates Safety Glass

Aluminium Folding Doors

3 Panels



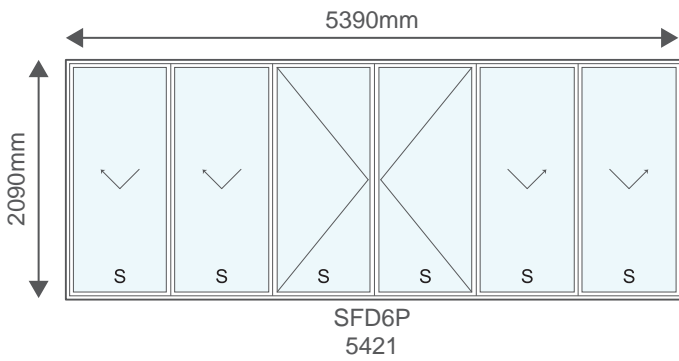
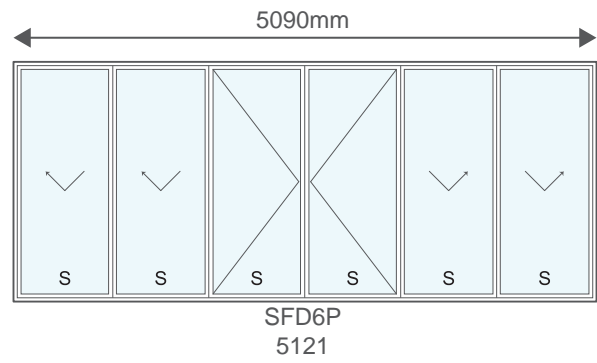
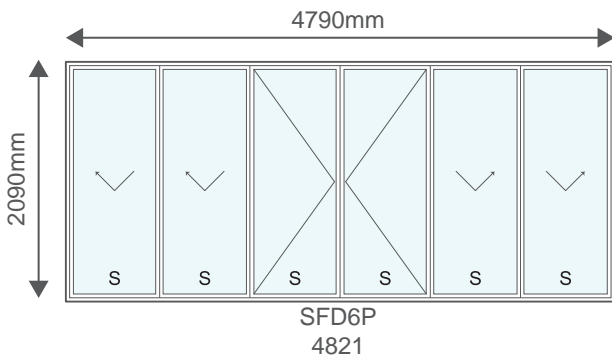
5 Panels



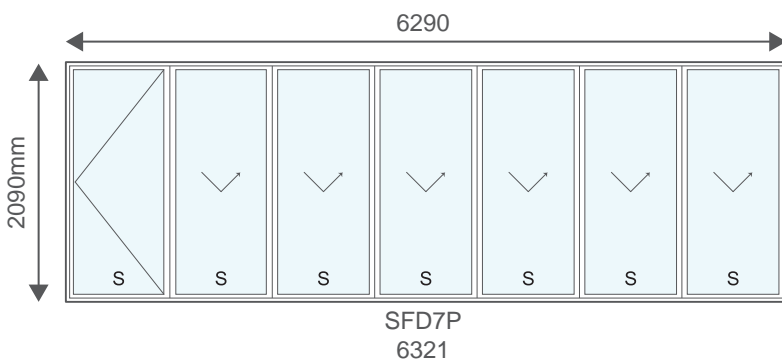
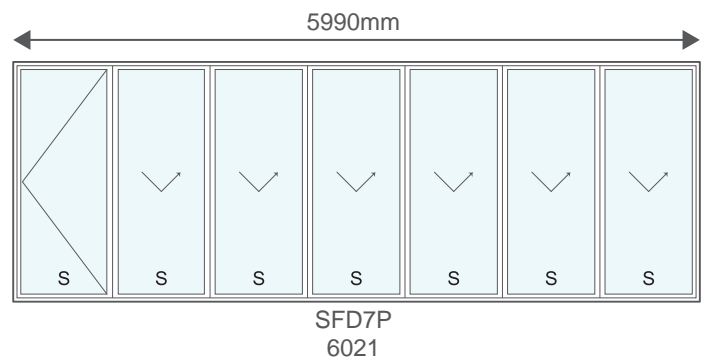
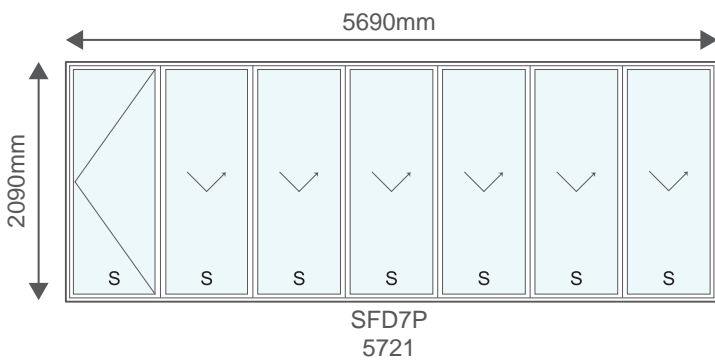
“S” indicates Safety Glass

Aluminium Folding Doors

6 Panels



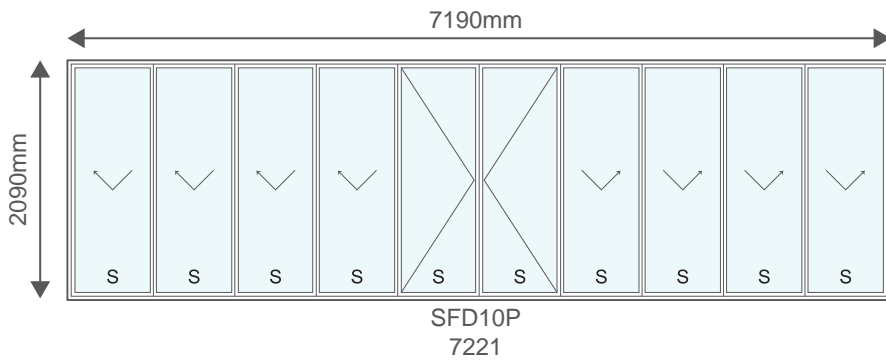
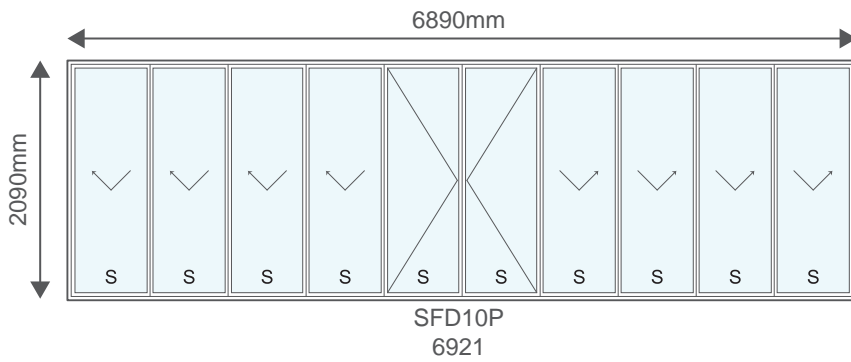
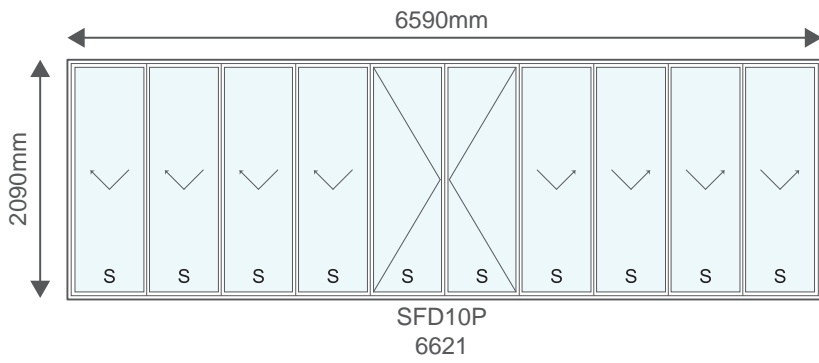
7 Panels



"S" indicates Safety Glass

Aluminium Folding Doors

10 Panels



“S” indicates Safety Glass

Aluminium Windows

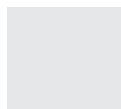
Aluminium windows are extremely durable and resistant to harsh weather conditions.

They have a high corrosion resistance and will not swell, crack, split or warp over time.

Aluminium frames boast a superior lifespan compared to most other materials and require little maintenance.

Aluminium is 100% recyclable, non-toxic and completely sustainable. The recycling process of aluminium requires only 5% of the initial energy required to create it.

The standard colours are:



Natural



Bronze

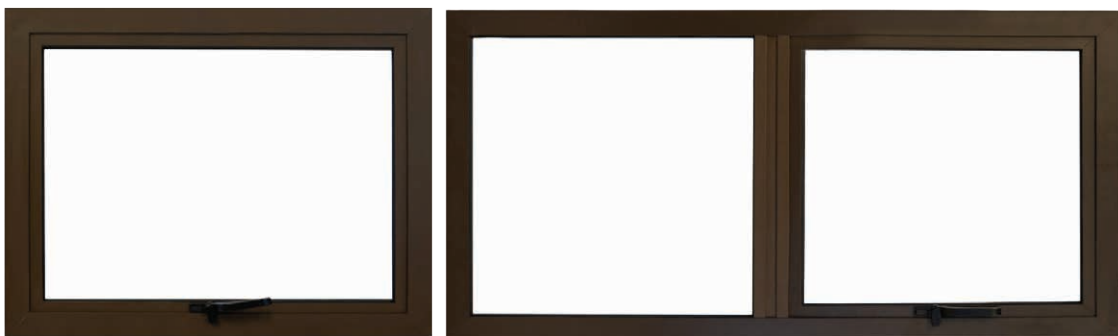


Charcoal

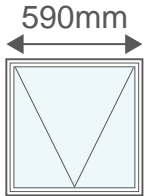


White

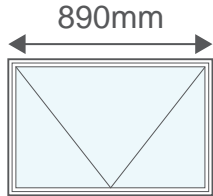
Please note that the colour swatches used are only for illustrative purposes and are not an exact replica of the final product colour



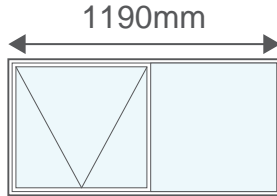
Windows - 590mm (h)



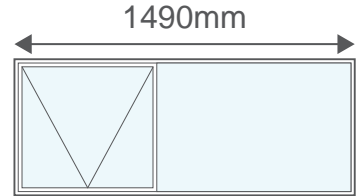
PT66



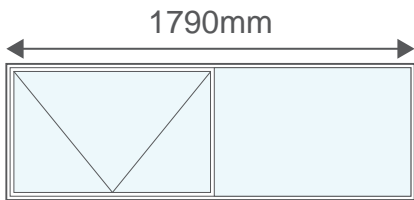
PT96



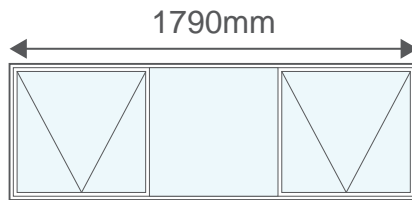
PT126



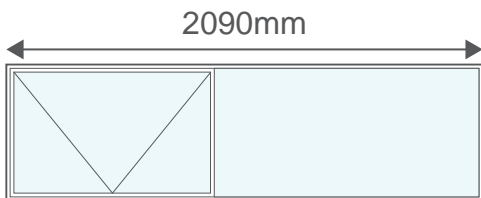
PT156



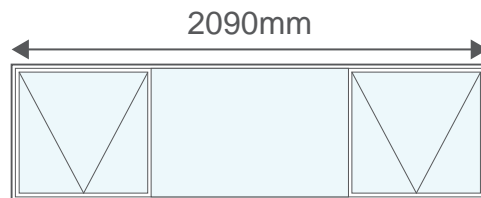
PT186



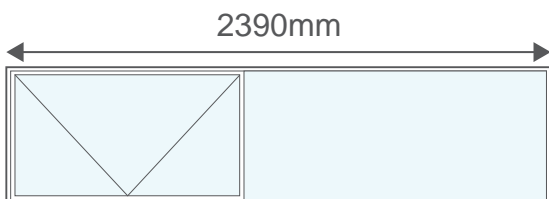
PTT186



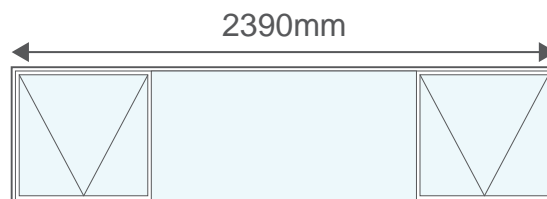
PT216



PTT216

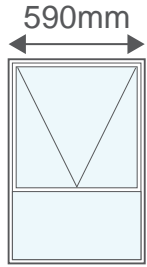


PT246

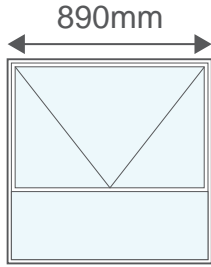


PTT246

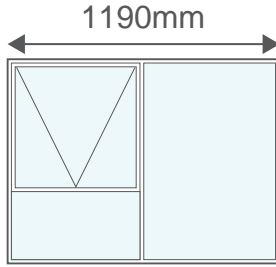
Windows - 890mm (h)



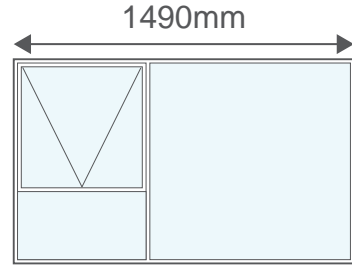
PT69



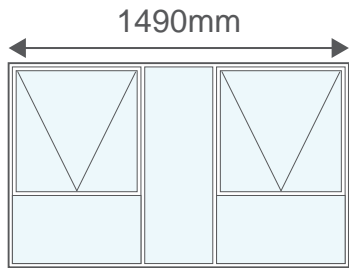
PT99



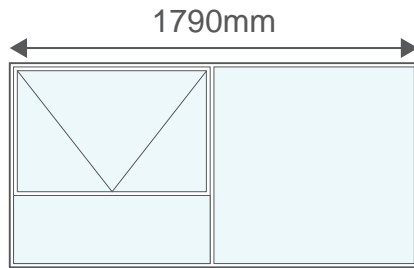
PT129



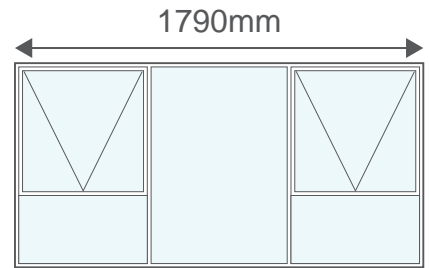
PT159



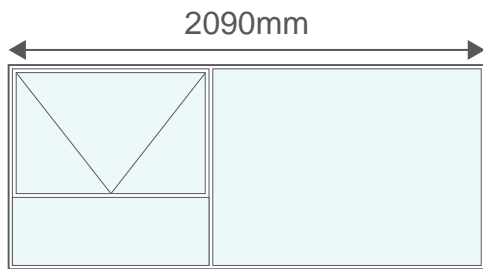
PTT159



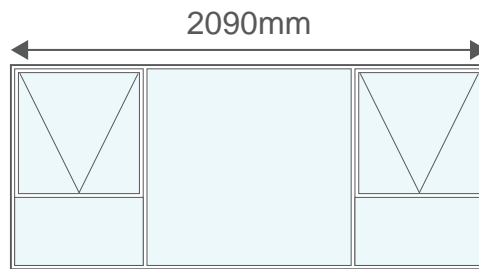
PT189



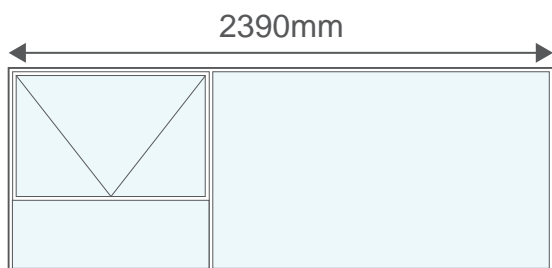
PTT189



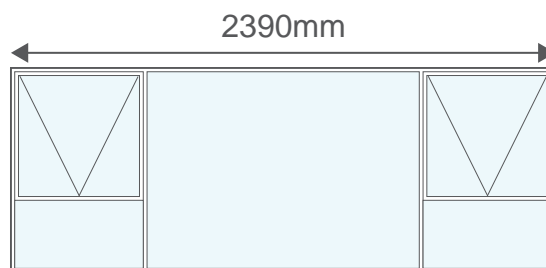
PT219



PTT219

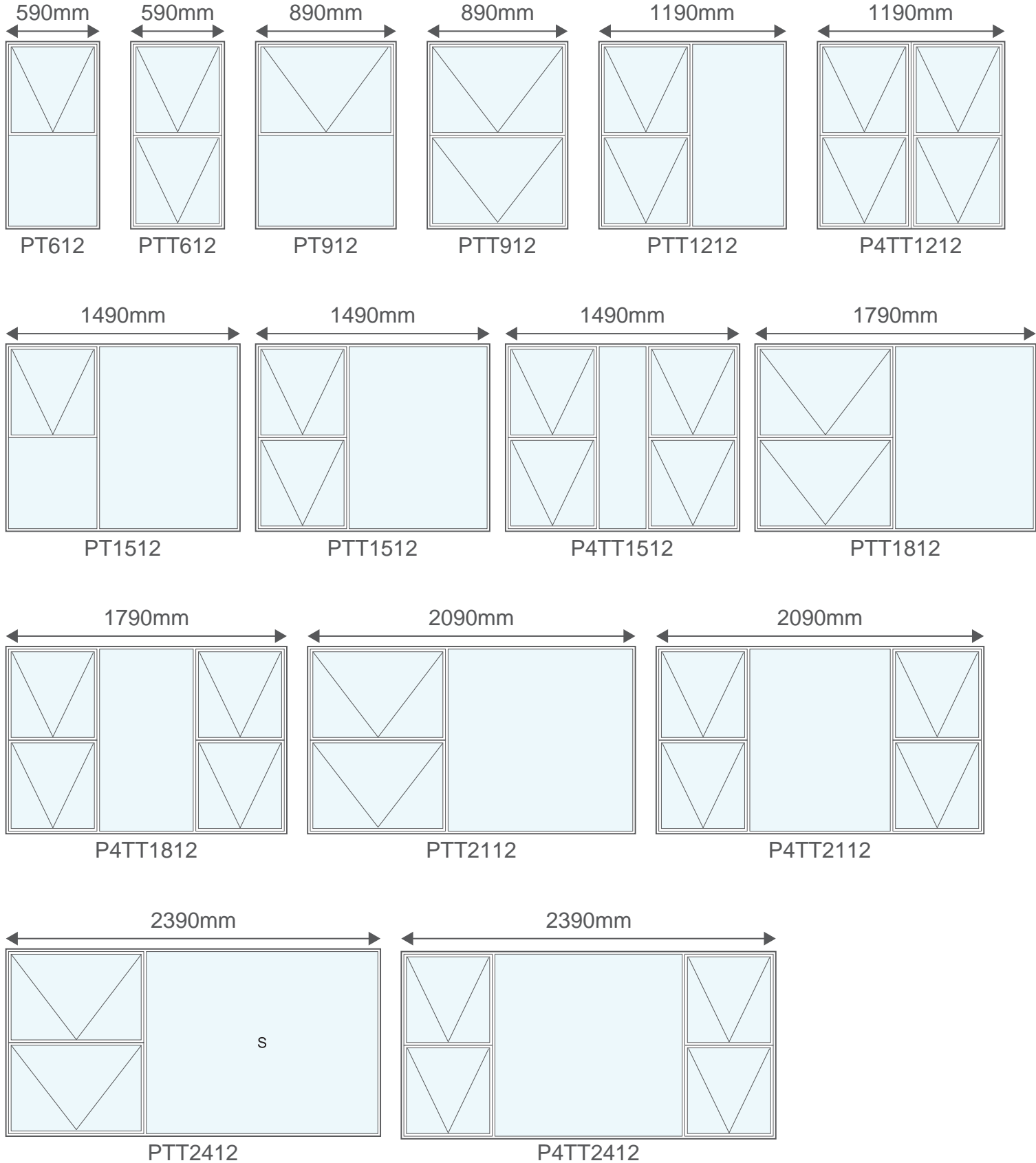


PT249



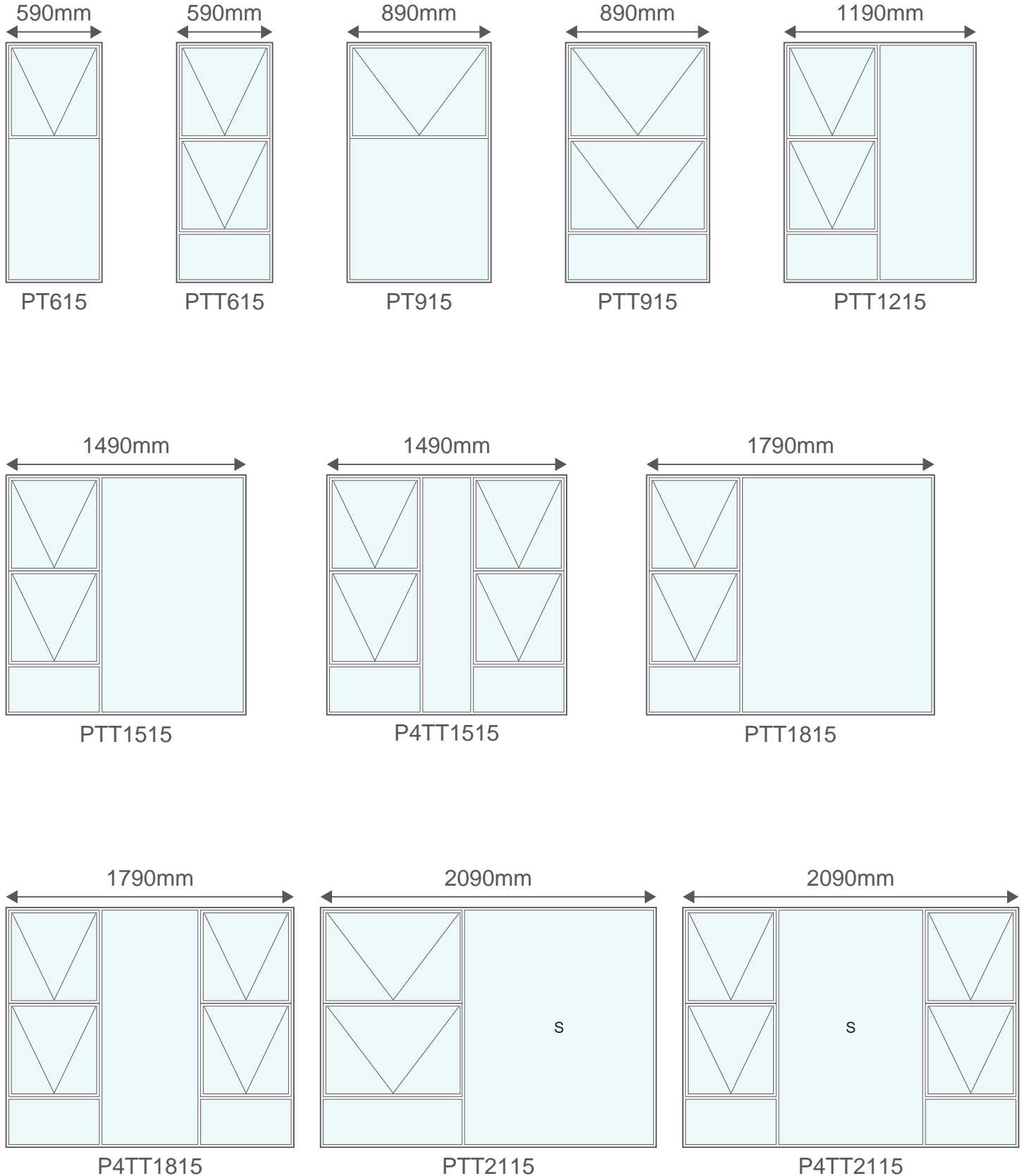
PTT249

Windows - 1190mm (h)



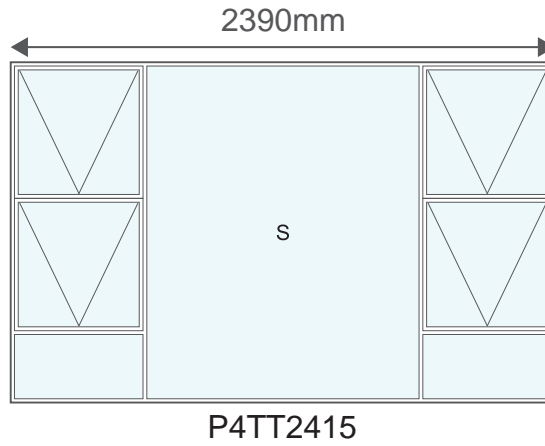
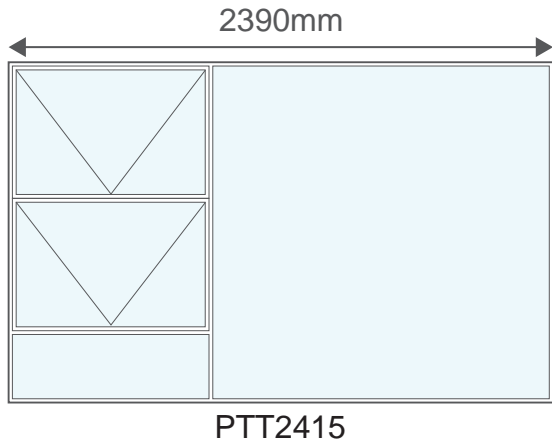
“S” indicates Safety Glass

Windows - 1490mm (h)

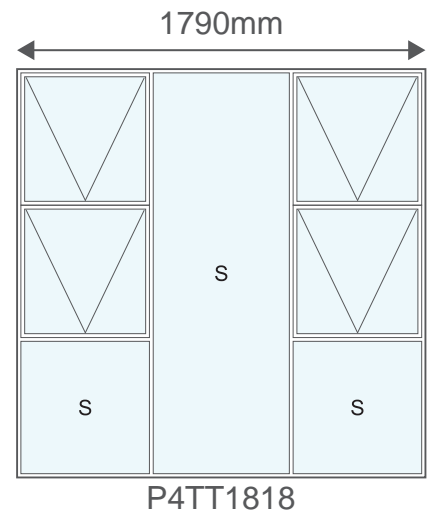
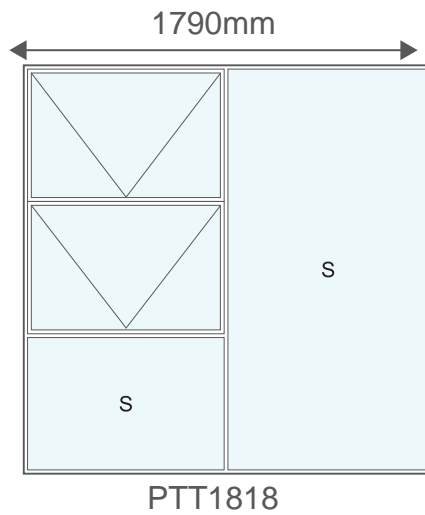
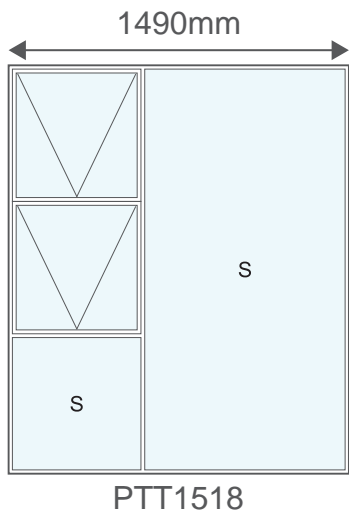
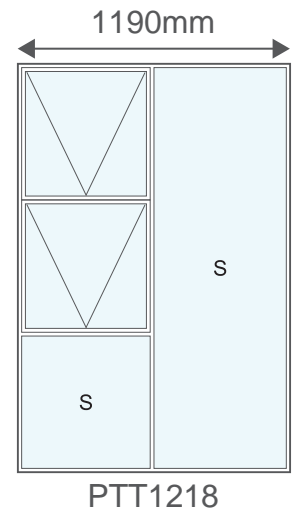
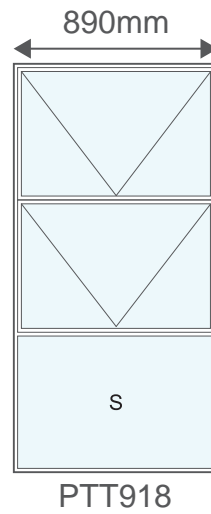
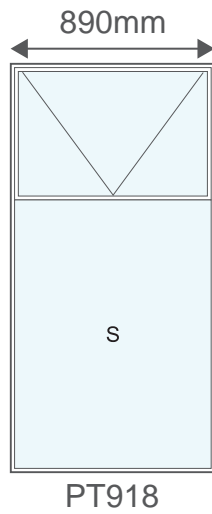
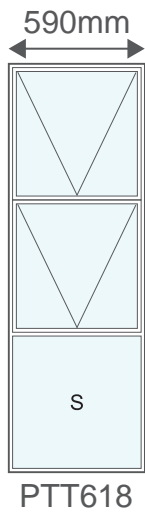
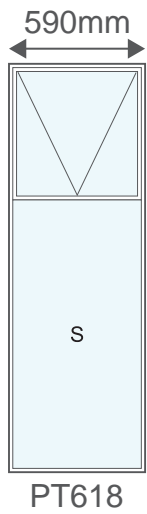


"S" indicates Safety Glass

Windows - 1490mm (h)

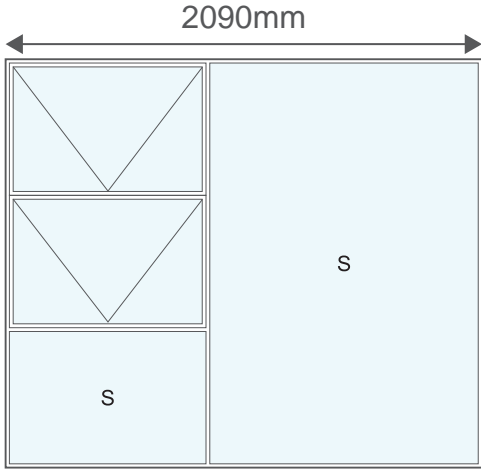


Windows - 1790mm (h)

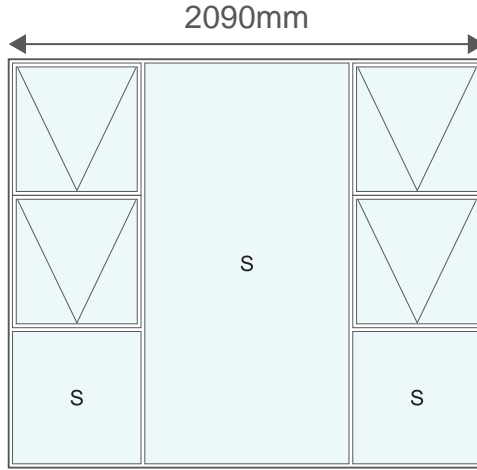


"S" indicates Safety Glass

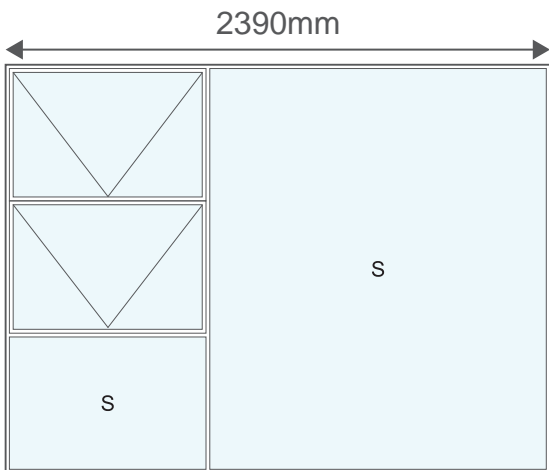
Windows - 1790mm (h)



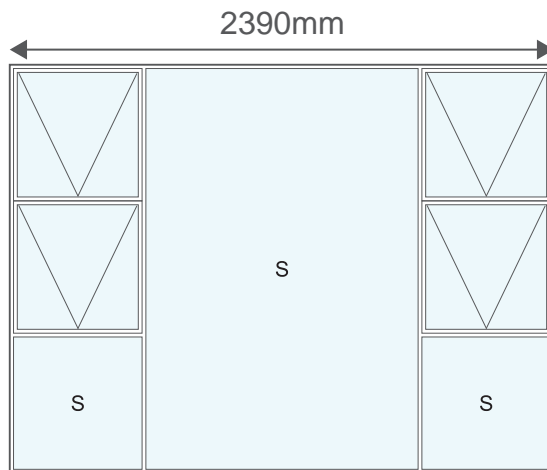
PTT2118



P4TT2118



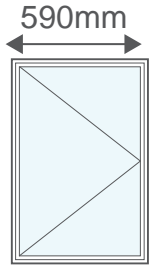
PTT2418



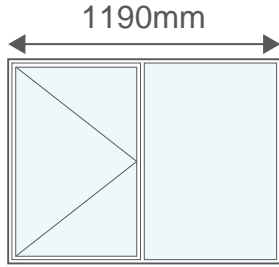
P4TT2418

"S" indicates Safety Glass

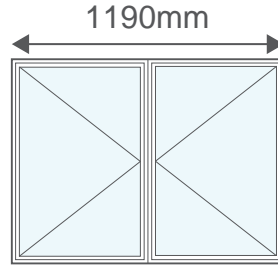
Windows - 890mm (h)



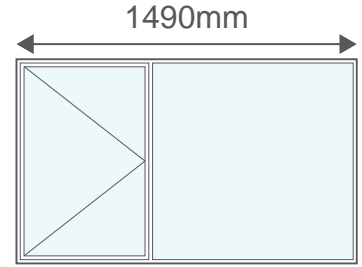
PS69



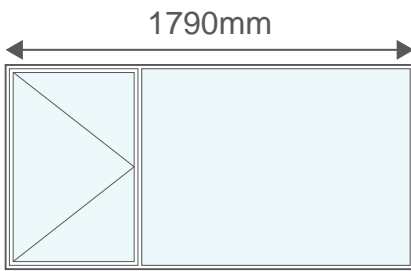
PS129



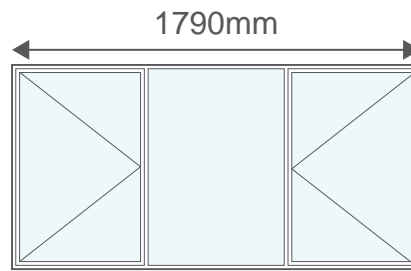
PSS129



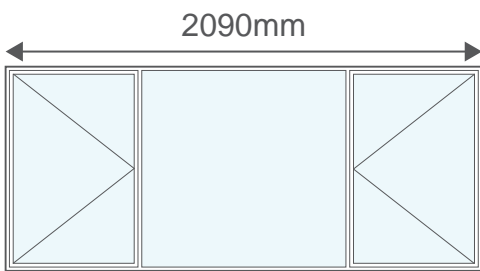
PS159



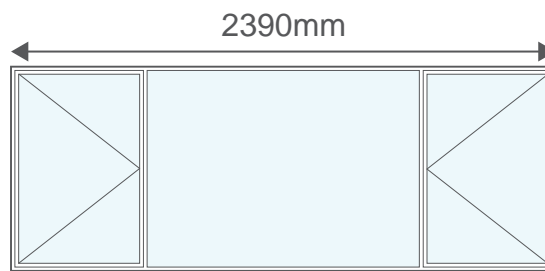
PS189



PSS189

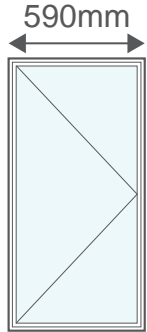


PSS219

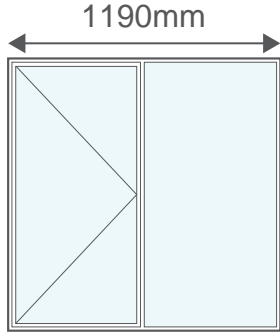


PSS249

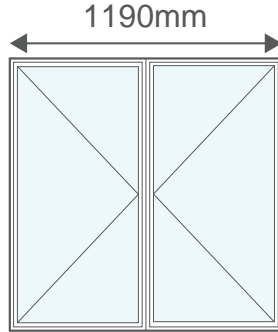
Windows - 1190mm (h)



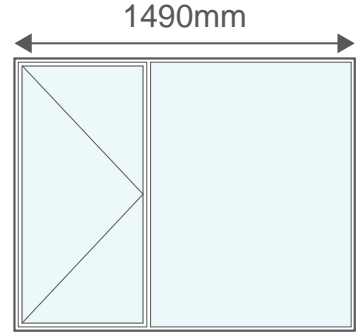
PS612



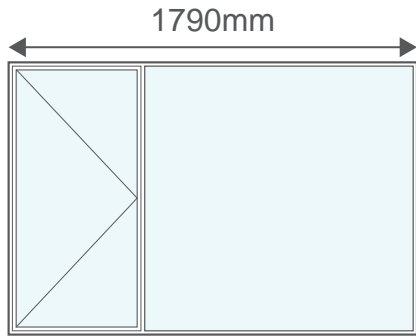
PS1212



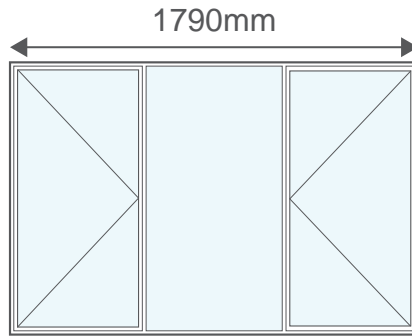
PSS1212



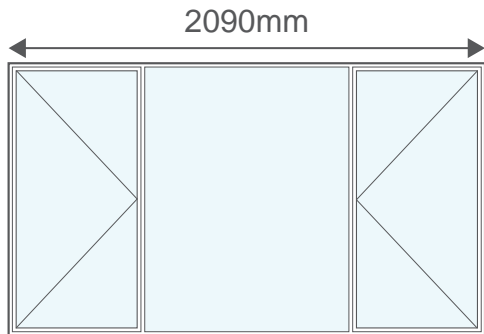
PS1512



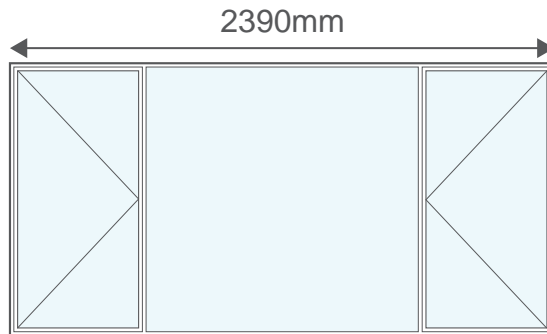
PS1812



PSS1812

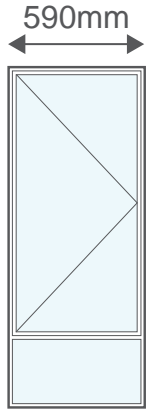


PSS2112

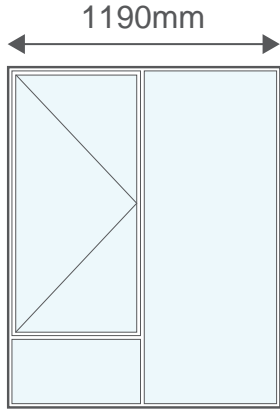


PSS2412

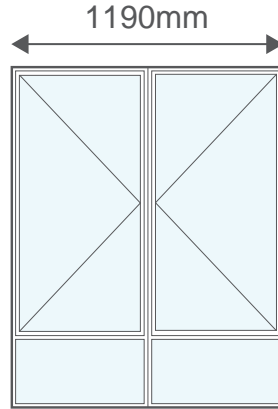
Windows - 1490mm (h)



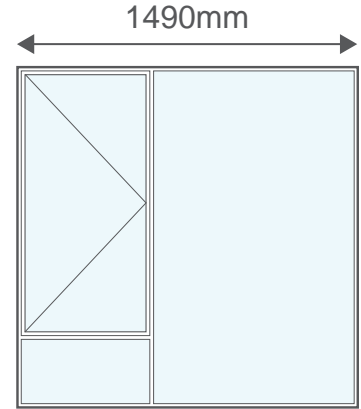
PS615



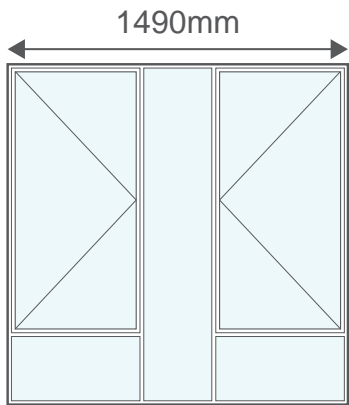
PS1215



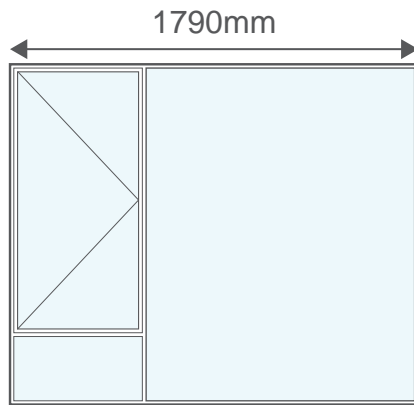
PSS1215



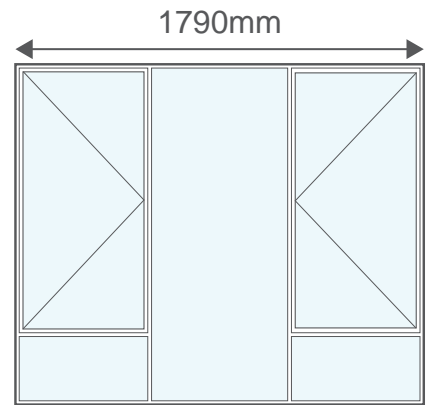
PS1515



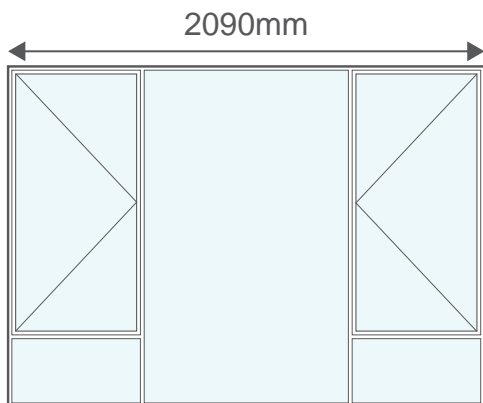
PSS1515



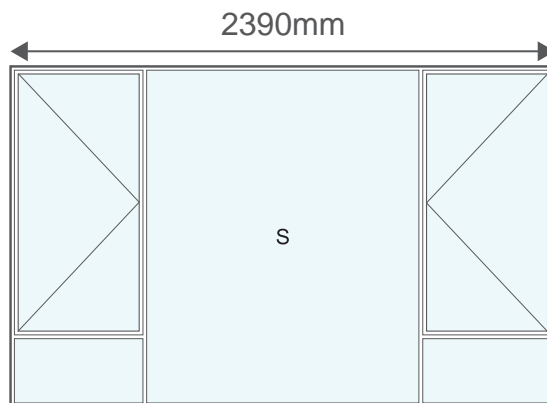
PS1815



PSS1815



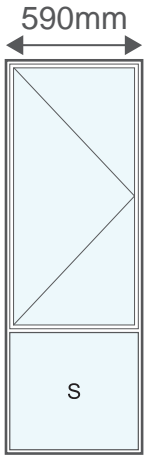
PSS2115



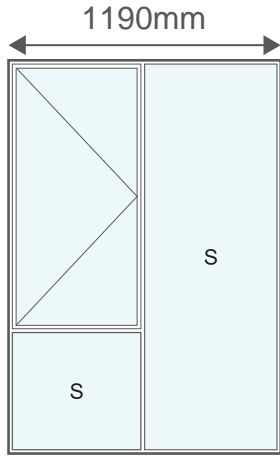
PSS2415

“S” indicates Safety Glass

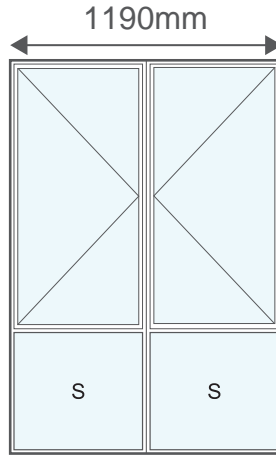
Windows - 1790mm (h)



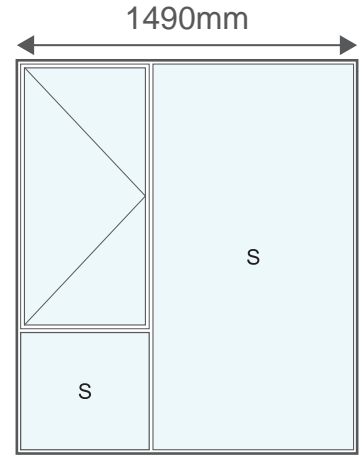
PS618



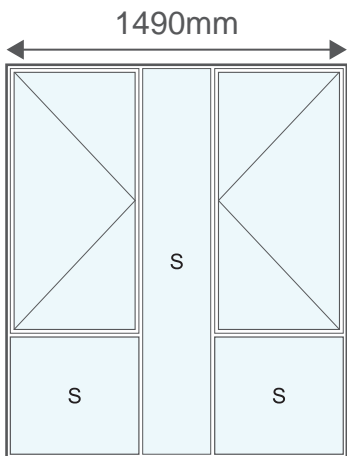
PS1218



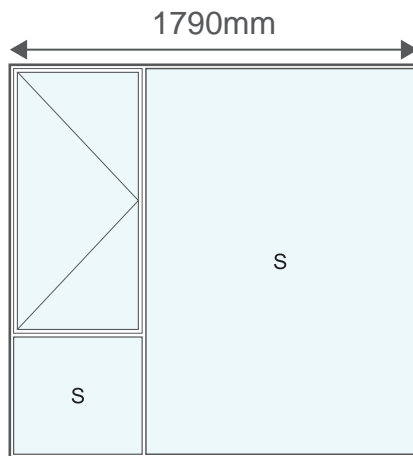
PSS1218



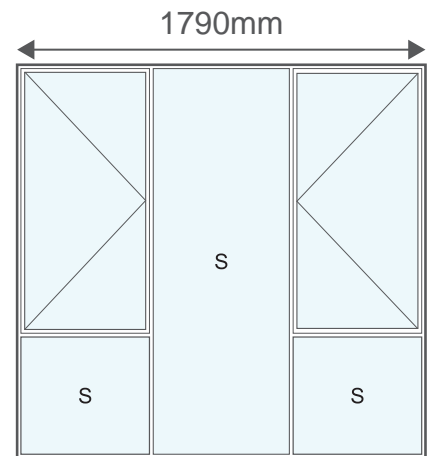
PS1518



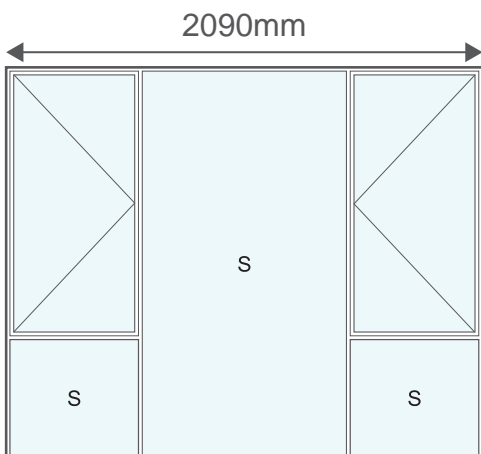
PSS1518



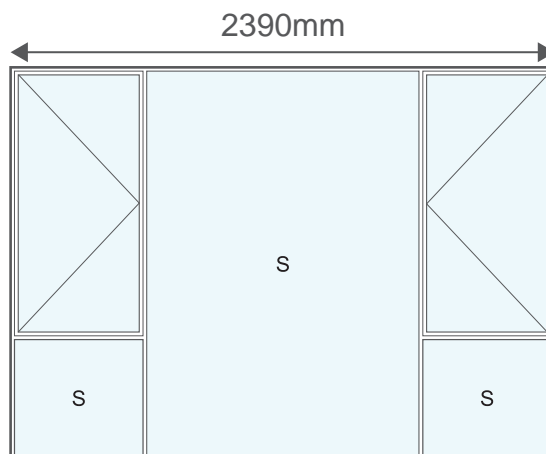
PS1818



PSS1818



PSS2118



PSS2418

“S” indicates Safety Glass

Single Doors

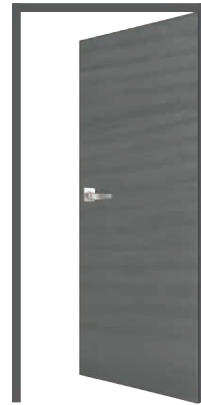
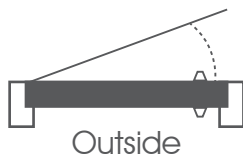
When judging the hand of combination doors, stand outside for open out doors and inside for open in doors.

Open In



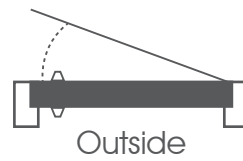
Right Hand

Inside



Left Hand

Inside

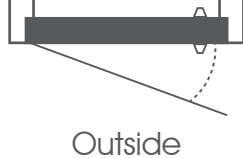


Open Out



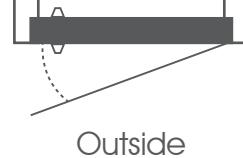
Left Hand

Inside



Right Hand

Inside



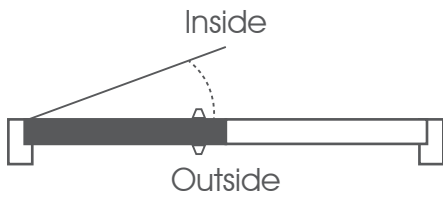
Double Doors

When judging the hand of combination doors, stand outside for open out doors and inside for open in doors.

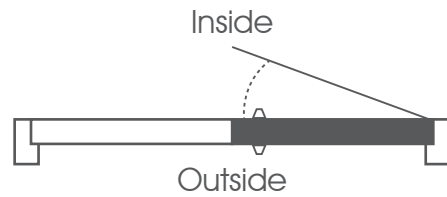
Open In



Left Hand



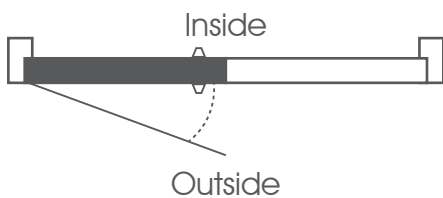
Right Hand



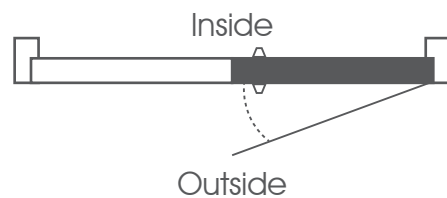
Open Out



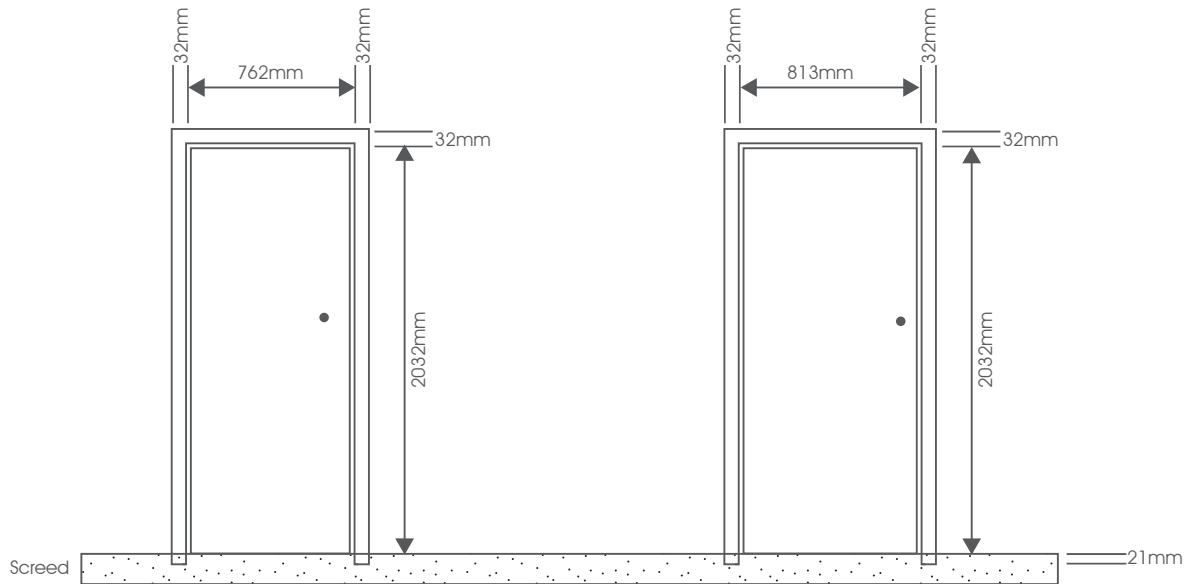
Left Hand



Right Hand

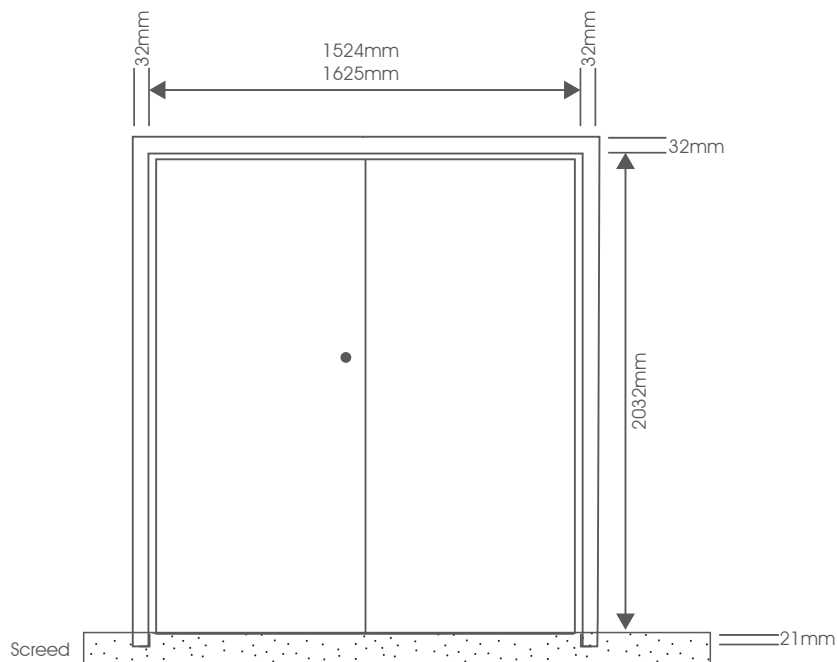


Single Doors



Widths are into rebate of frames. Heights are from finished floor to head rebate.

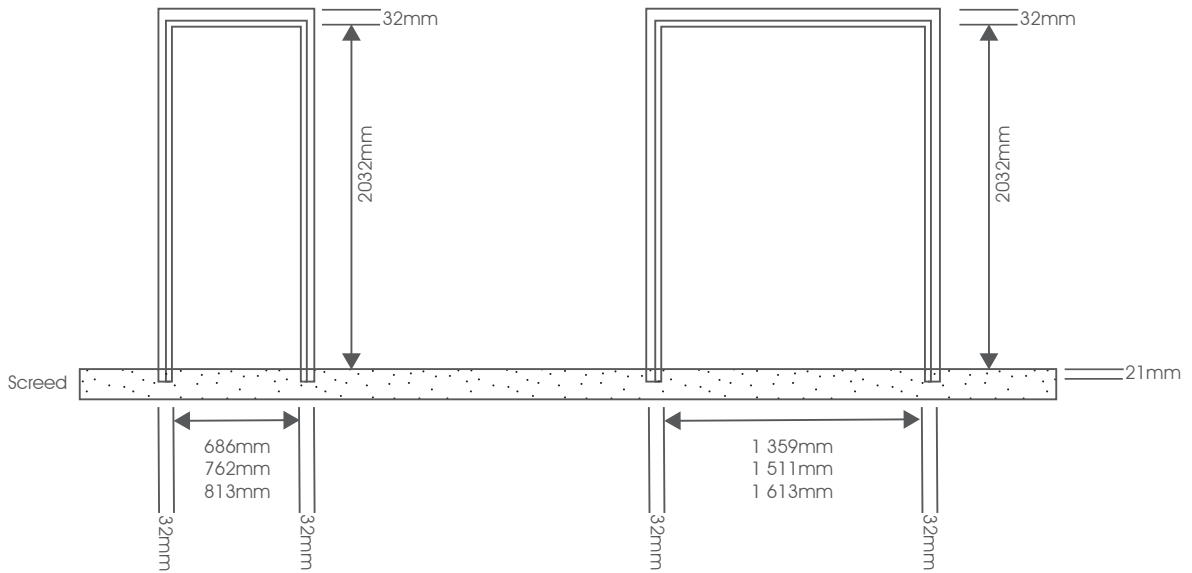
Combination Doors



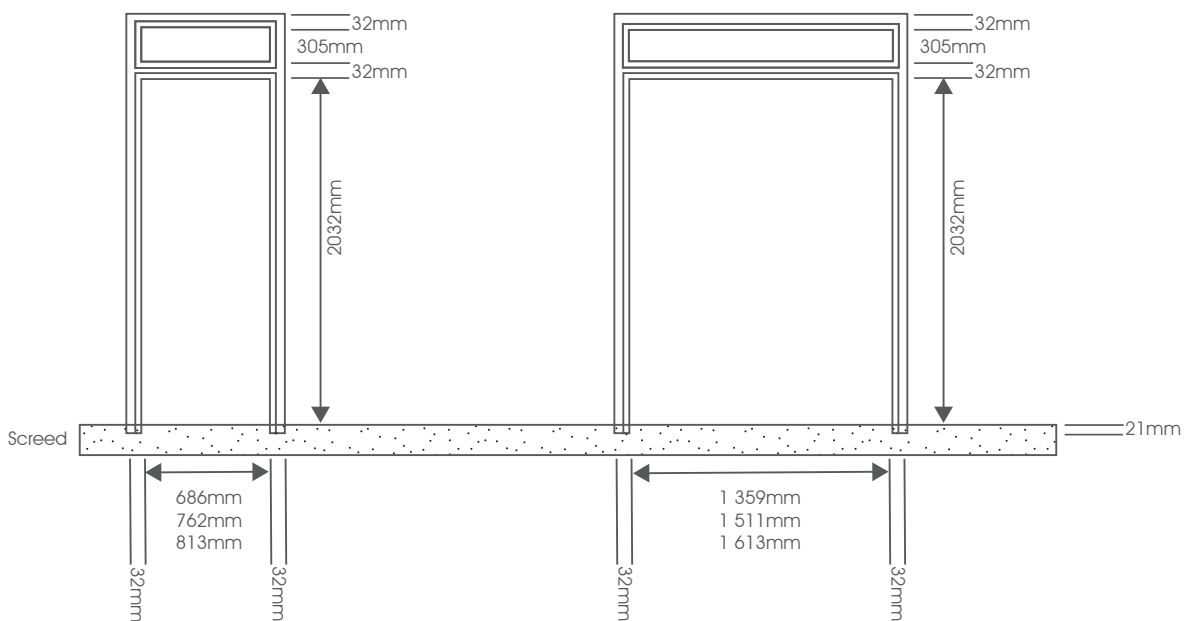
Widths are into rebate of frames. Heights are from finished floor to head rebate.

Steel panels are braced to give additional rigidity. Barrel bolts are fitted to Top and Bottom of Door Leaf

Screeded Steel Door Frames



Fanlight Type Frames

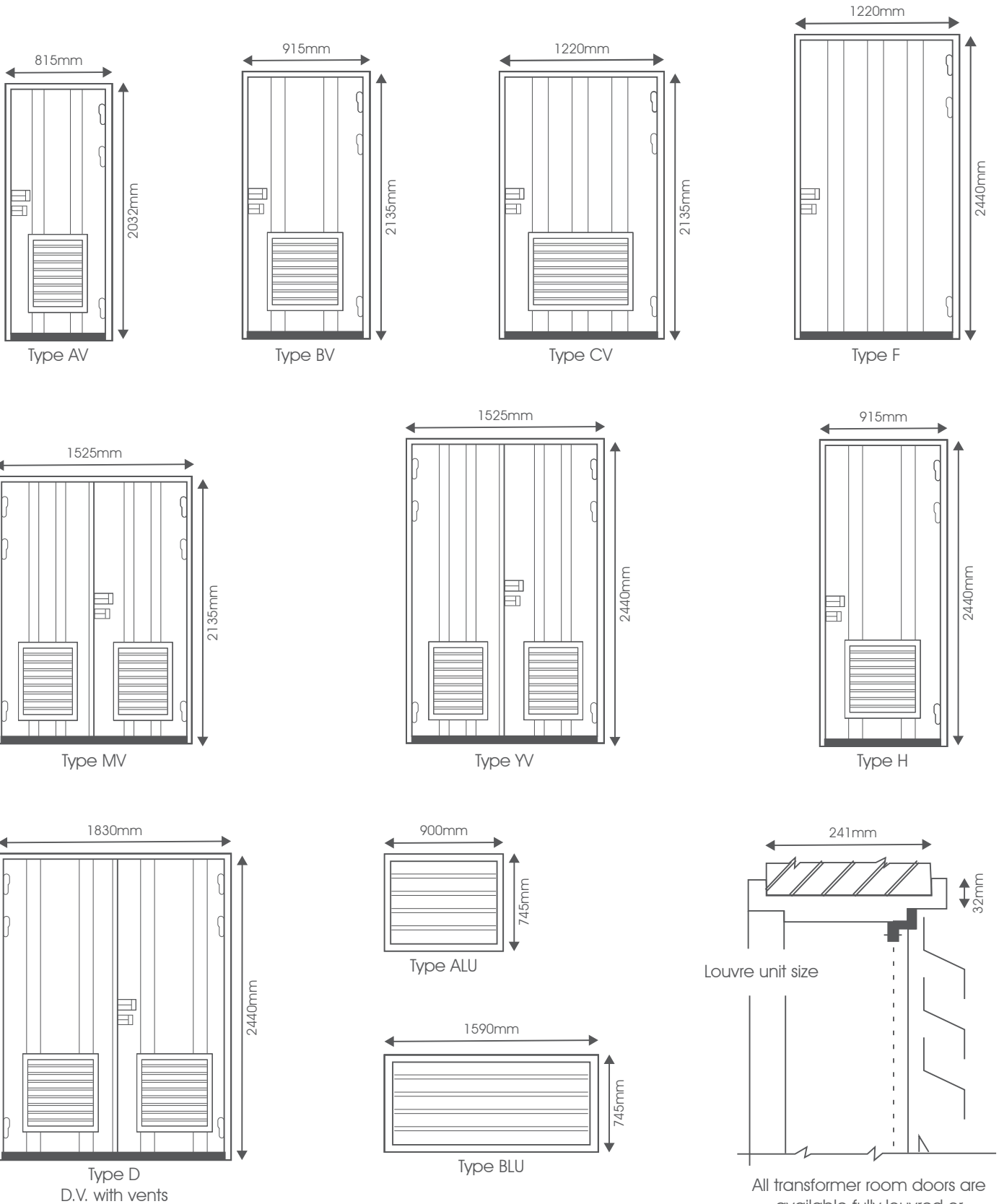


Note: Non-screeded Door Frames are 2064mm in overall height, which is 21mm shorter in length than screeded frames

Transformer Room Units

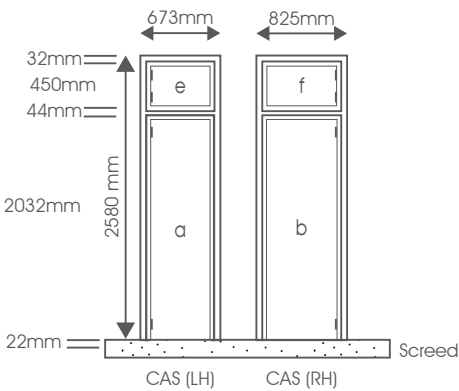
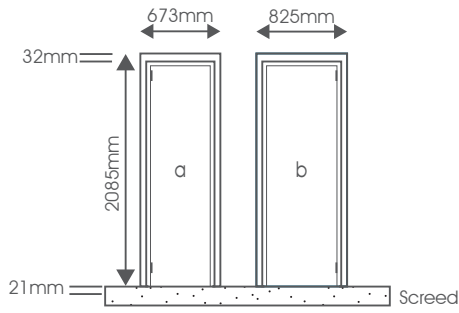
Optional Louvred Unit Vent Panel

Our standard range opens outward. Opening inward will be on order only.

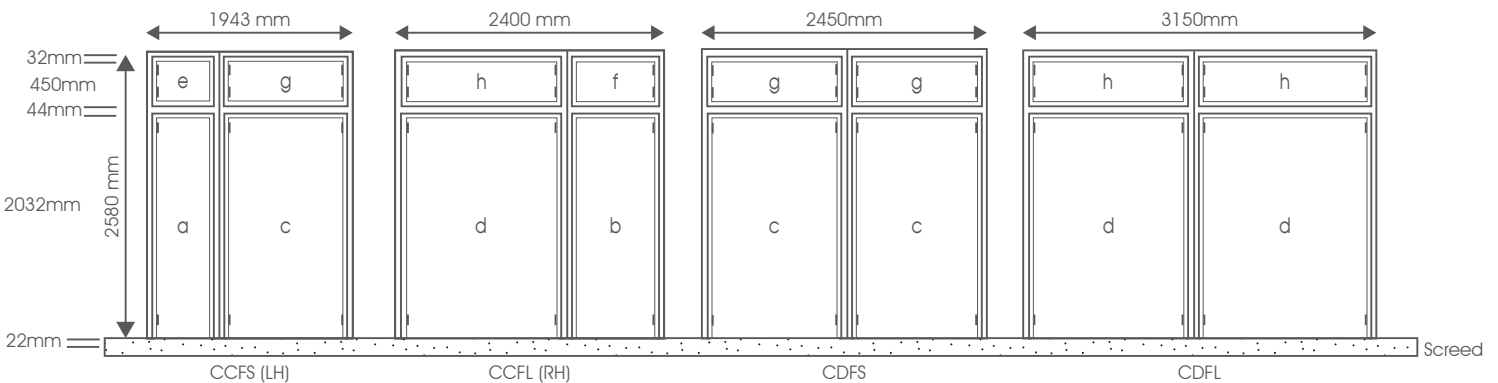
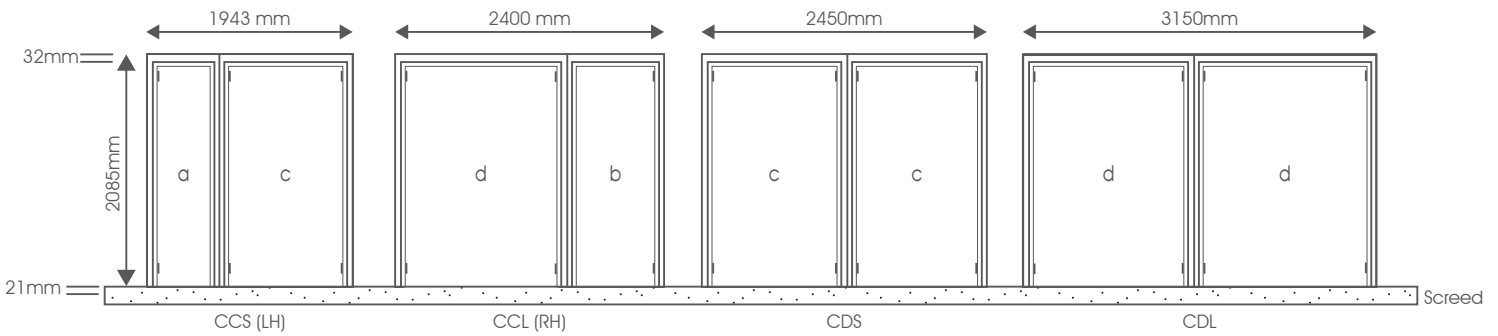
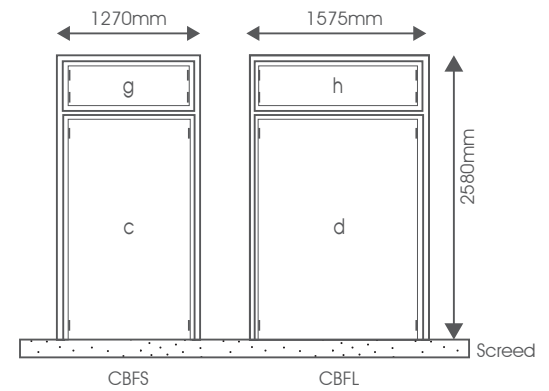
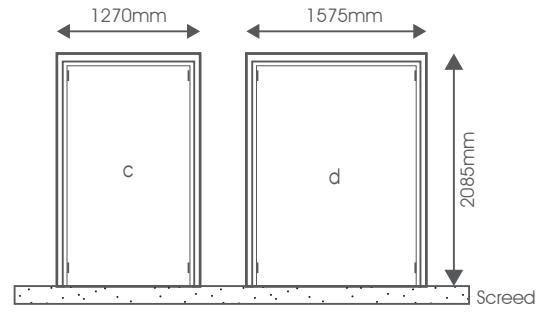


All transformer room doors are available fully louvred or with no louvres.

Steel Cupboard Frames



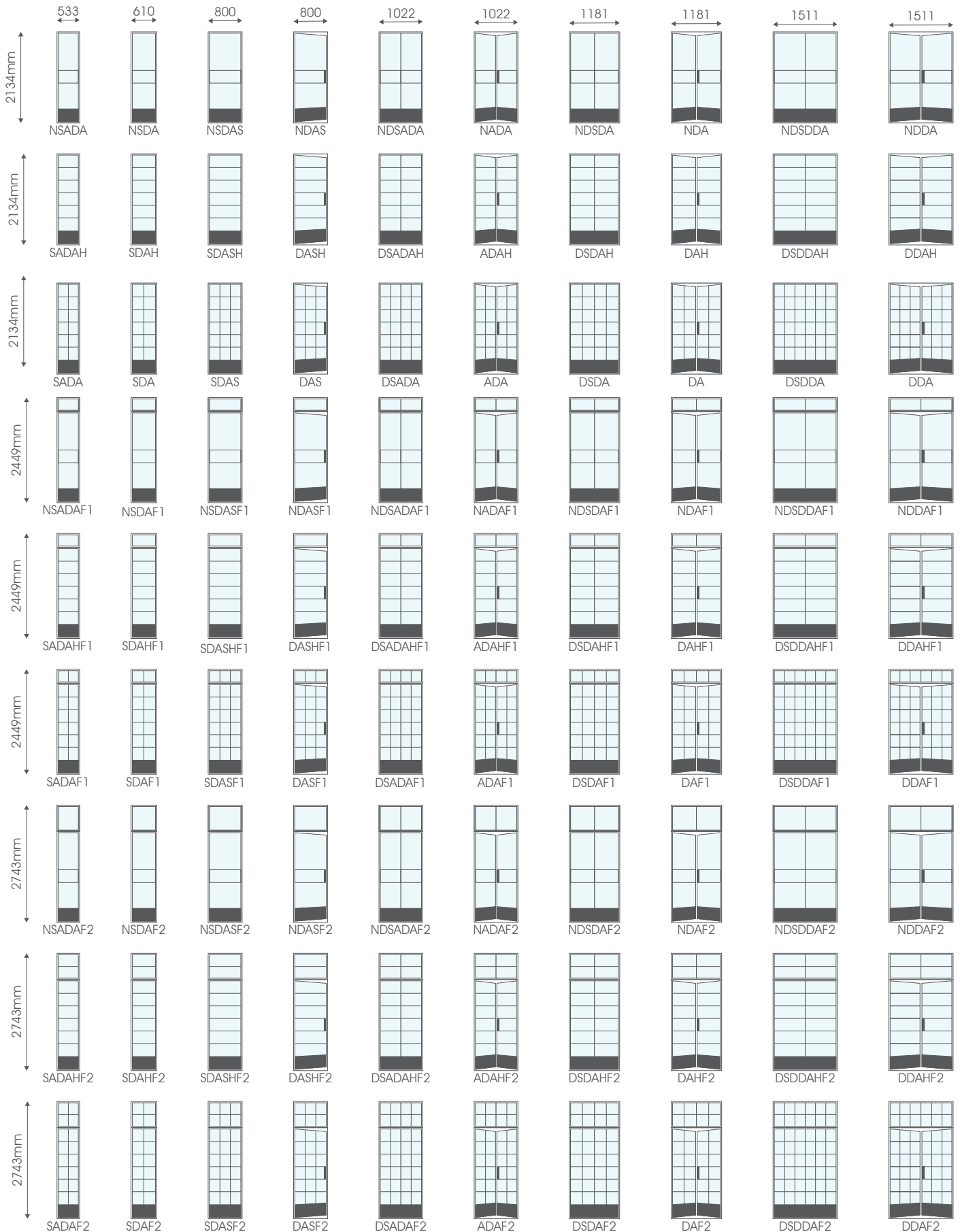
Elevations are shown from the rebate side
 (LH) - Left Hand
 (RH) - Right Hand
 Sizes:
 Height - from finished floor to overall frame
 Width - overall frame



Widths between rebates and heights from finished floor to rebate at Head are as follows:

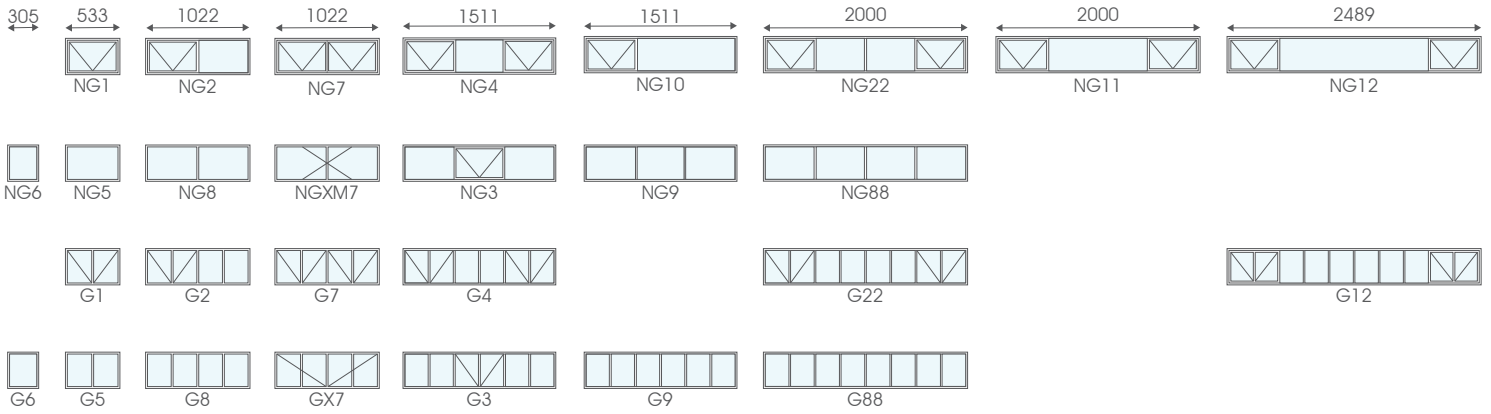
Code	Width	Height	Code	Width	Height
a	610mm	2 032mm	e	610mm	450mm
b	762mm	2 032mm	f	762mm	450mm
c	1 206mm	2 032mm	g	1 206mm	450mm
d	1 511mm	2 032mm	h	1 511mm	450mm

French Doors



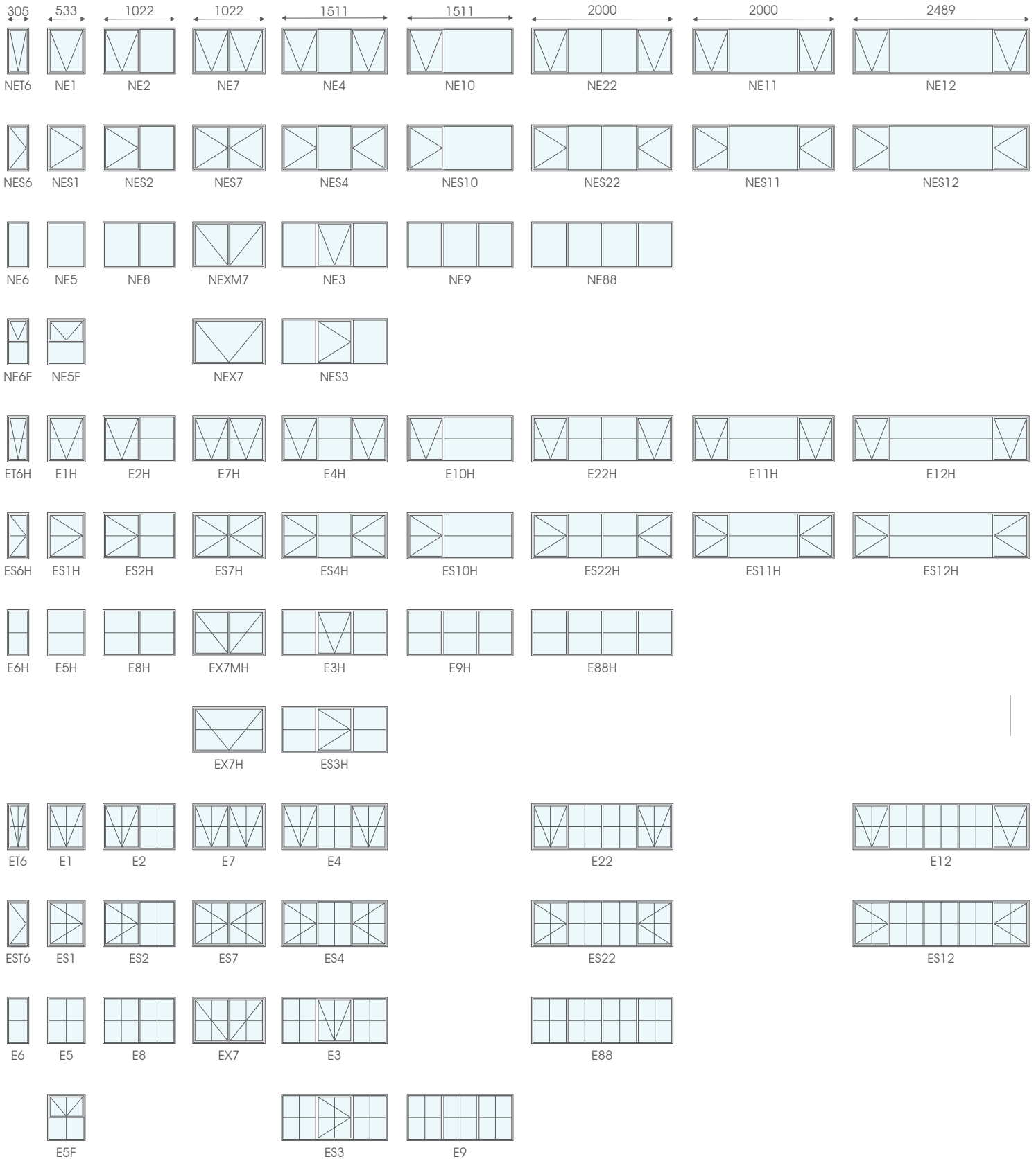
*Glass not included with frames - shown for illustration only
 All F7 Windows will have a width shortage of 25mm in comparison to your FX7 Window.

G Type - Height 359mm



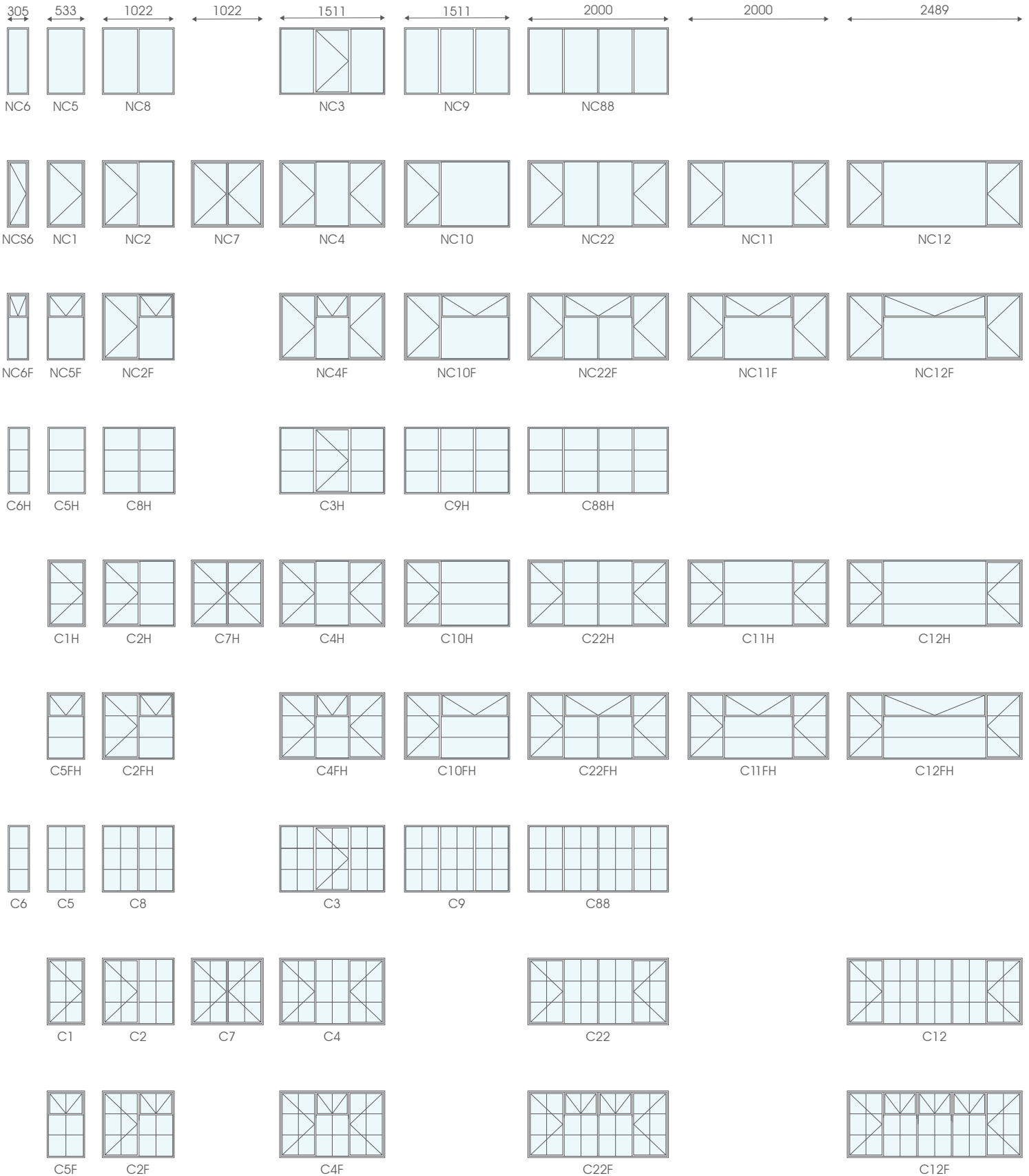
*Glass not included with frames - shown for illustration only
 All F7 Windows will have a width shortage of 25mm in comparison to your FX7 Window.

E Type - Height 654mm



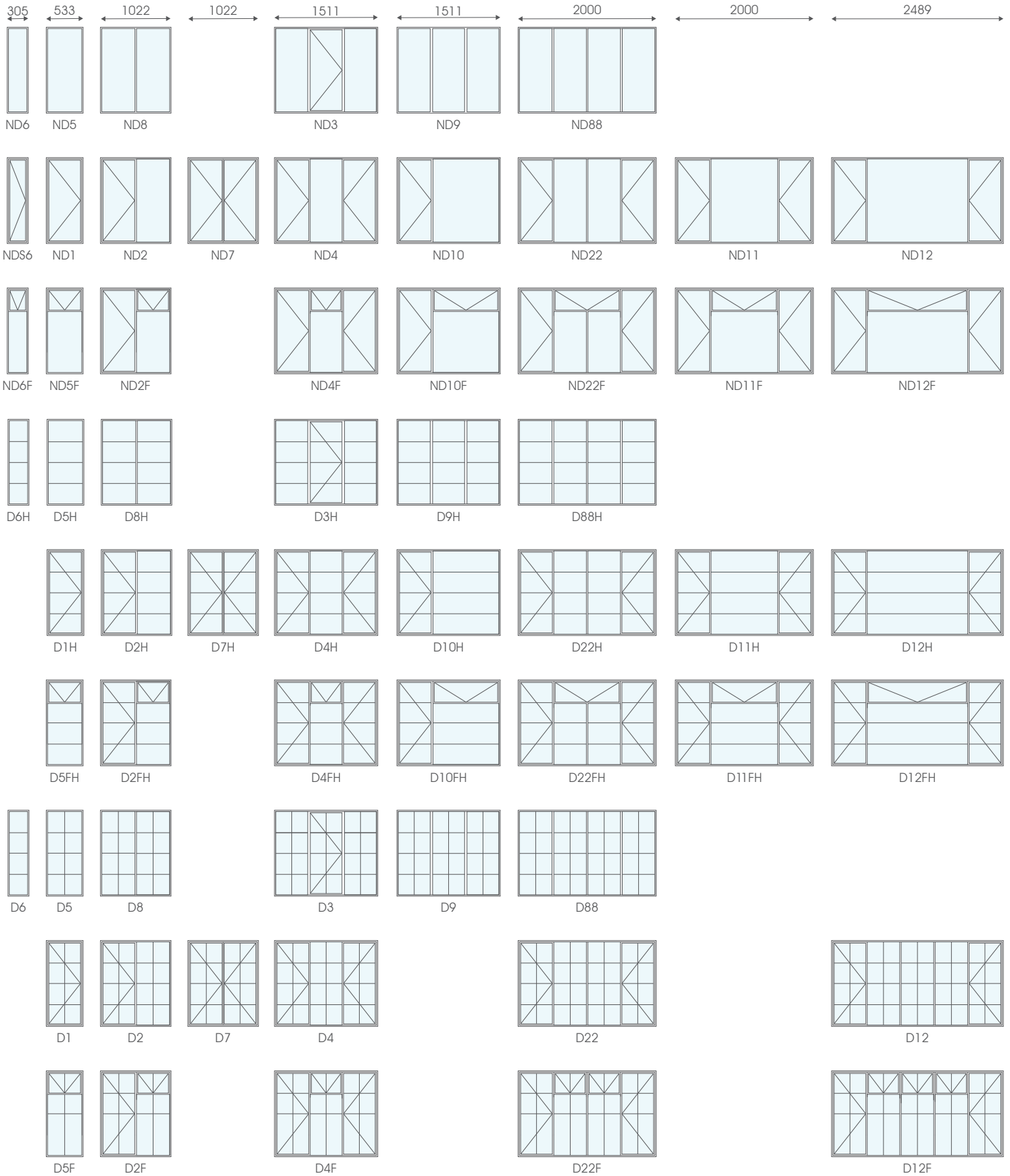
*Glass not included with frames - shown for illustration only
 All F7 Windows will have a width shortage of 25mm in comparison to your FX7 Window.

C Type - Height 949mm



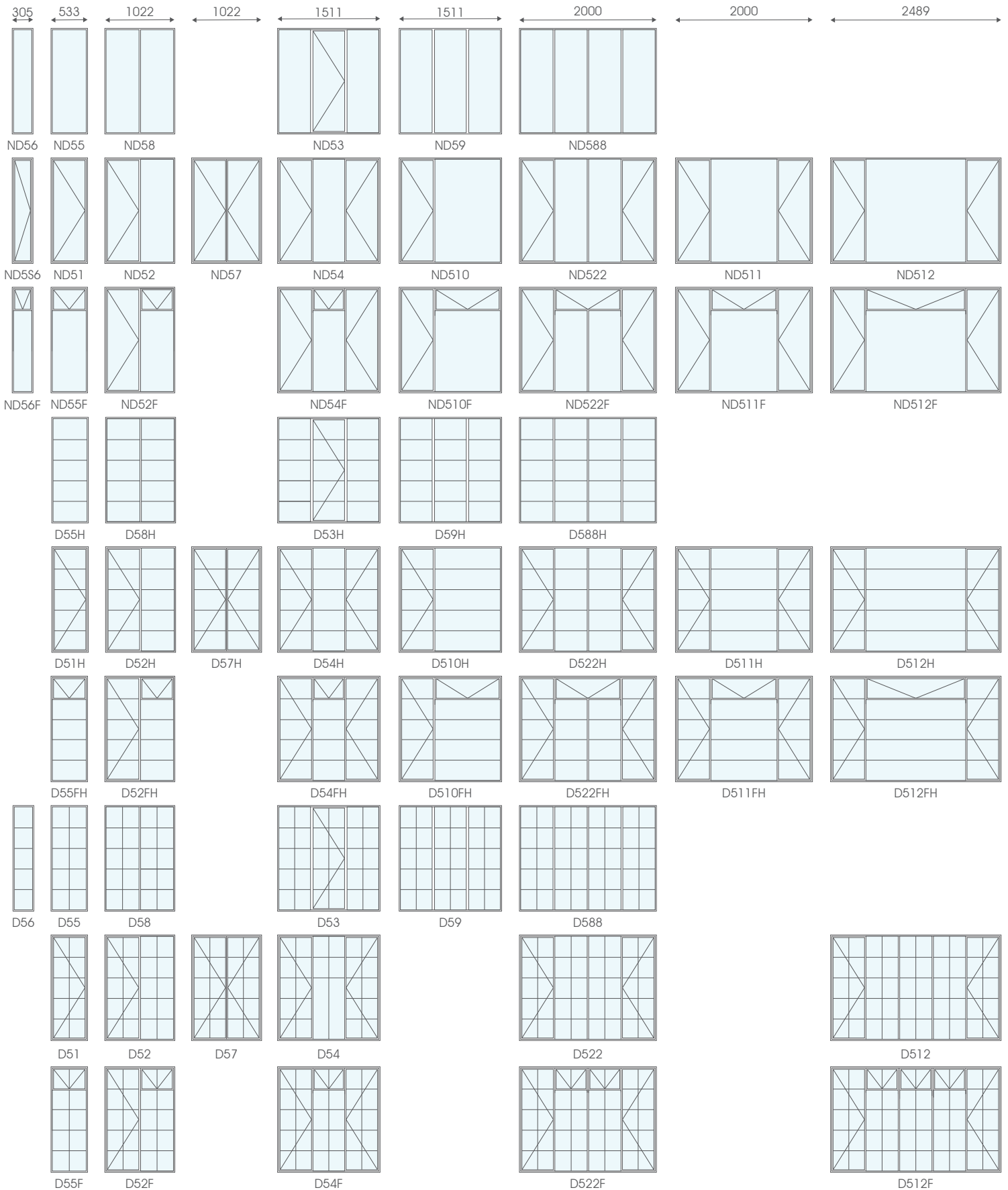
*Glass not included with frames - shown for illustration only
 All F7 Windows will have a width shortage of 25mm in comparison to your FX7 Window.

D Type - Height 1245mm



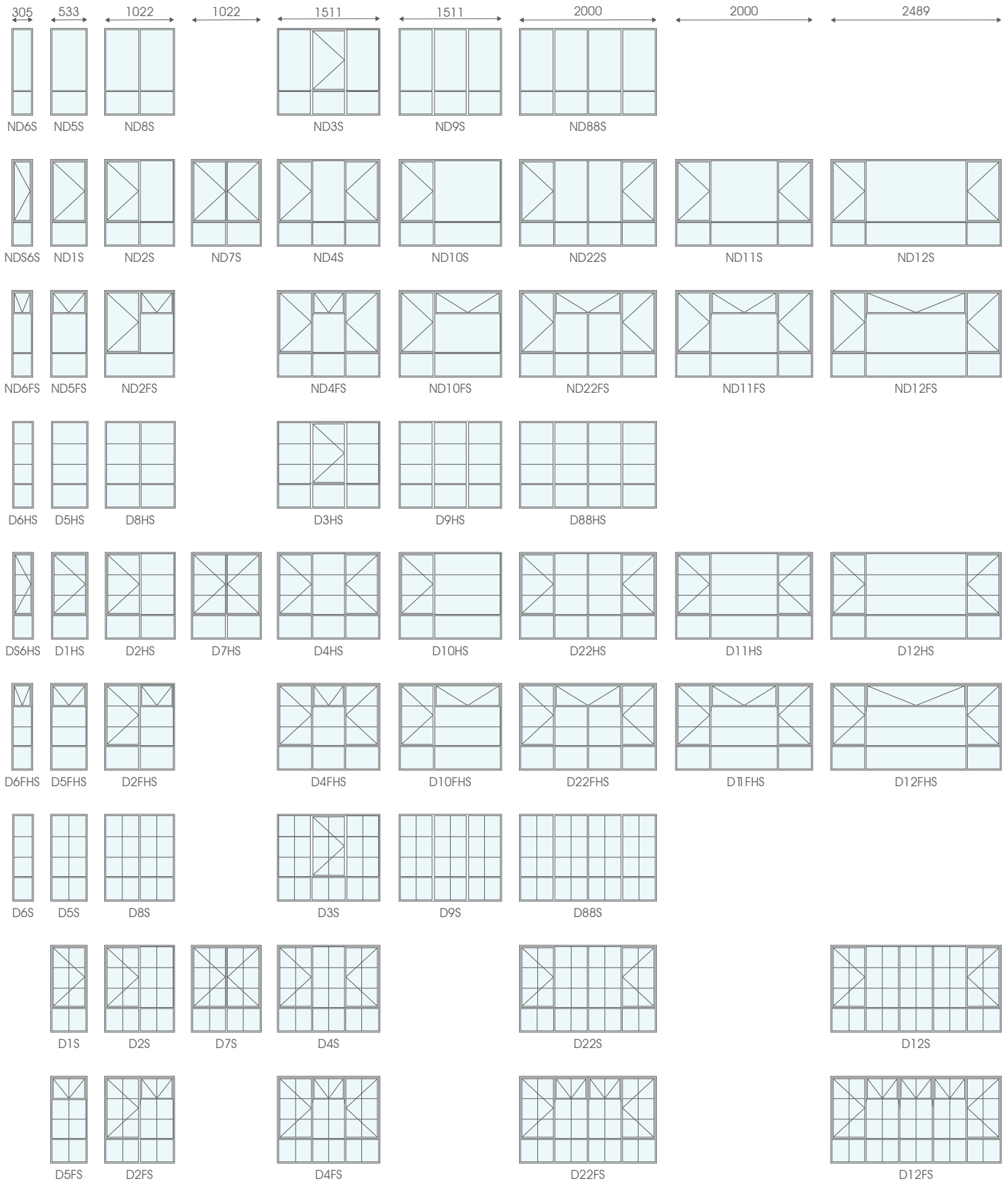
*Glass not included with frames - shown for illustration only
 All F7 Windows will have a width shortage of 25mm in comparison to your FX7 Window.

D50 Type - Height 1540mm



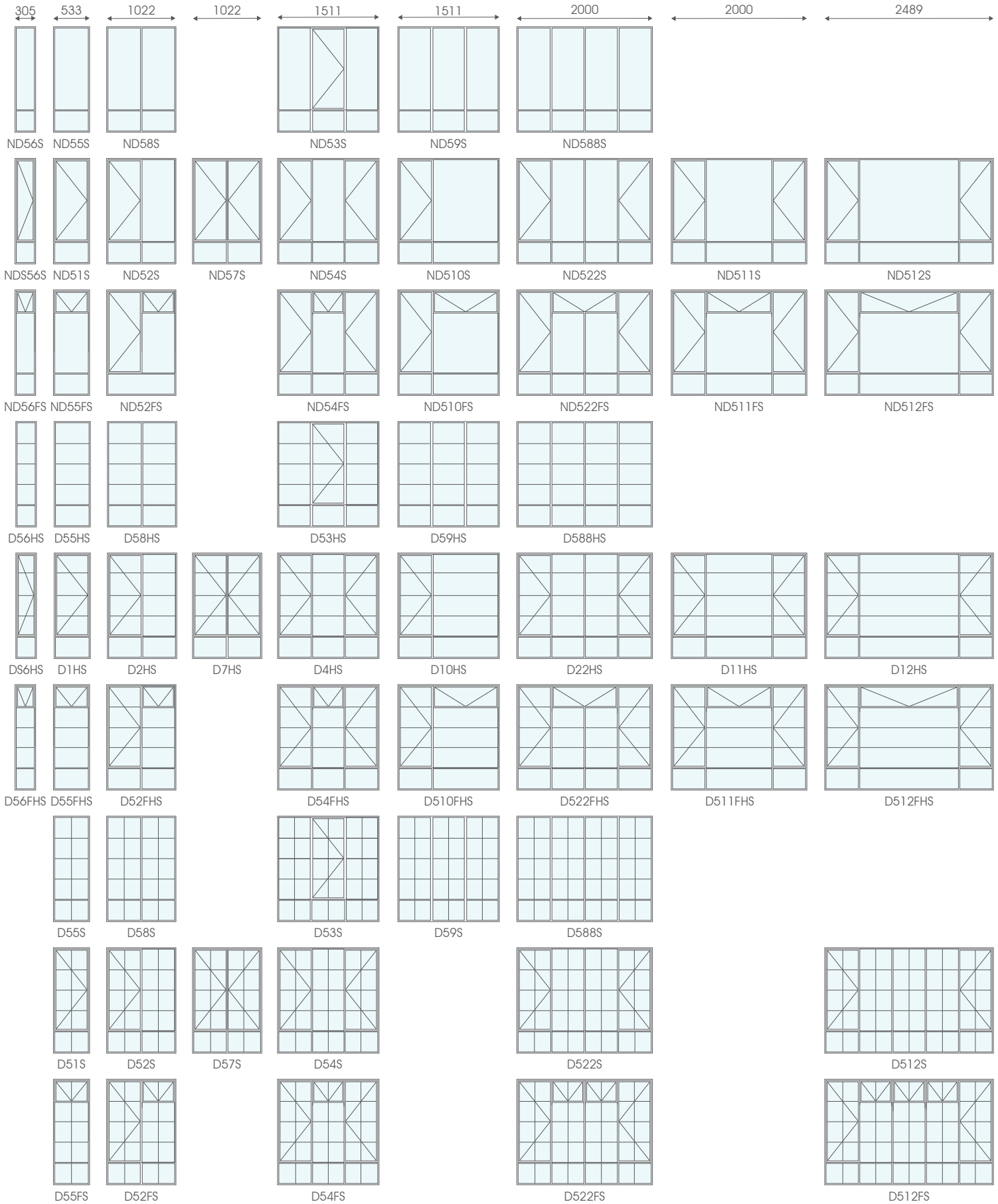
*Glass not included with frames - shown for illustration only
 All F7 Windows will have a width shortage of 25mm in comparison to your FX7 Window.

D/S Type - Height 1264mm



*Glass not included with frames - shown for illustration only
 All F7 Windows will have a width shortage of 25mm in comparison to your FX7 Window.

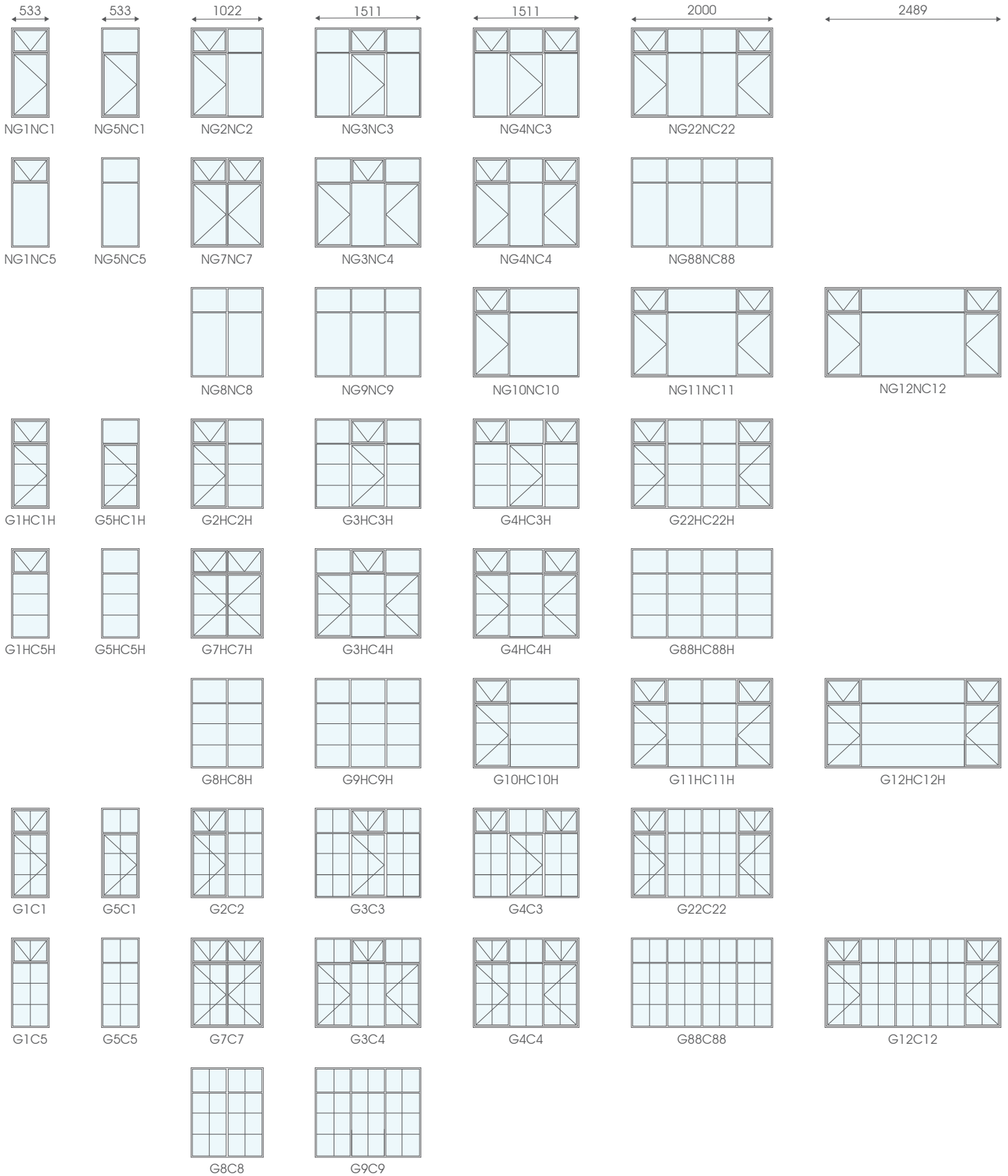
D50/S Type - Height 1559mm



All F7 Windows will have a width shortage of 25mm in comparison to your FX7 Window.

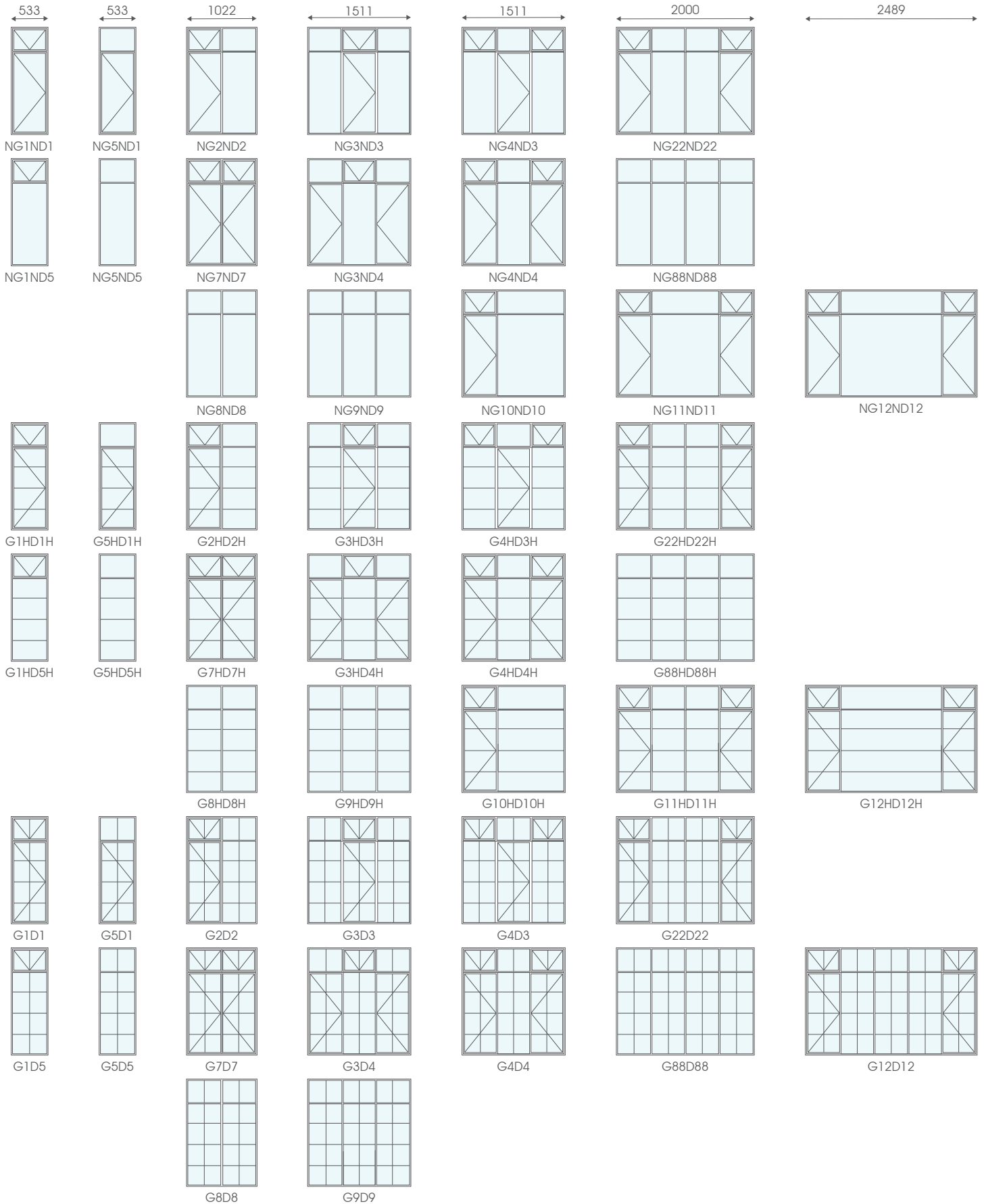
*Glass not included with frames - shown for illustration only

G/C Type - Height 1264mm



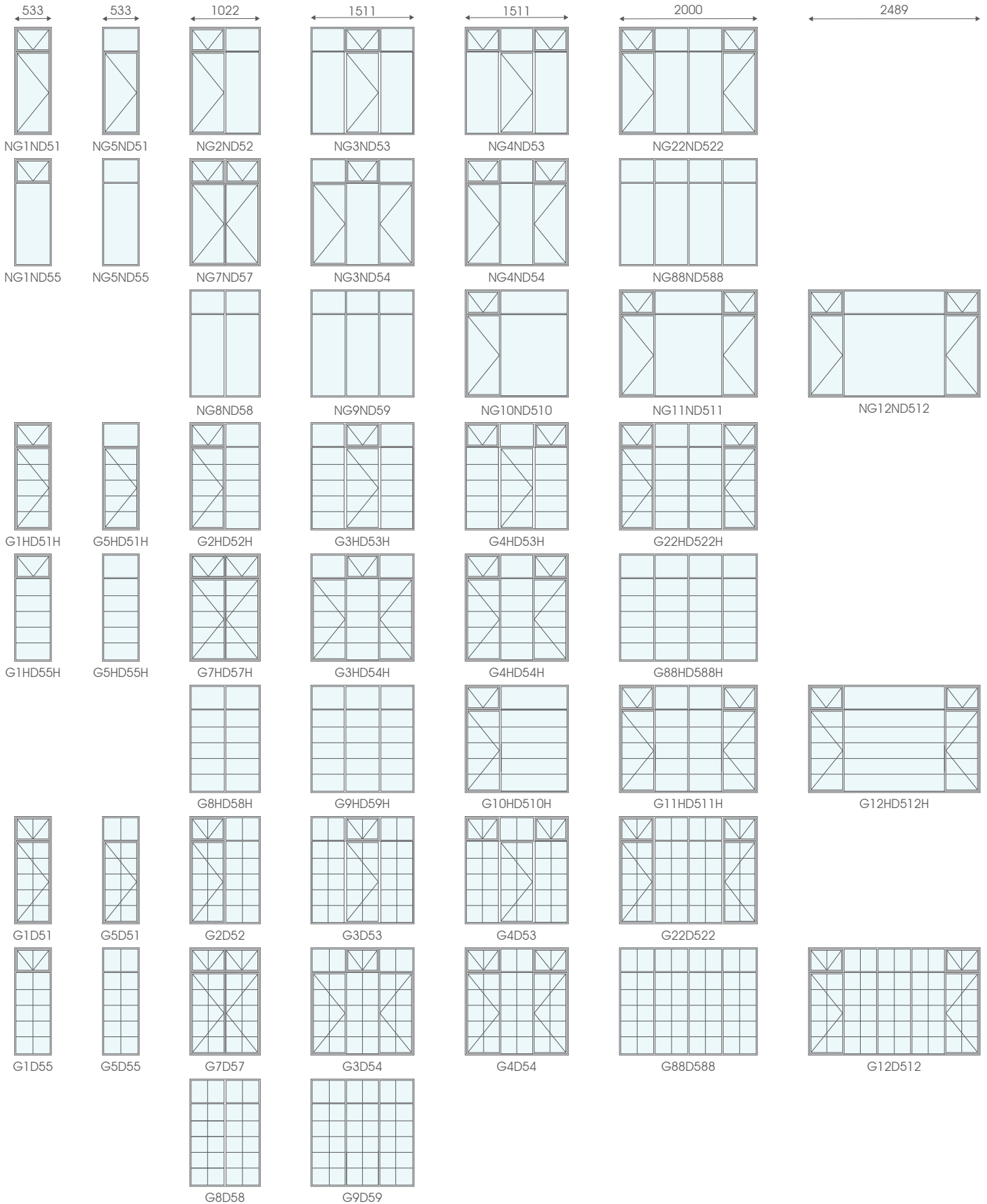
*Glass not included with frames - shown for illustration only
 All F7 Windows will have a width shortage of 25mm in comparison to your FX7 Window.

G/D Type - Height 1559mm



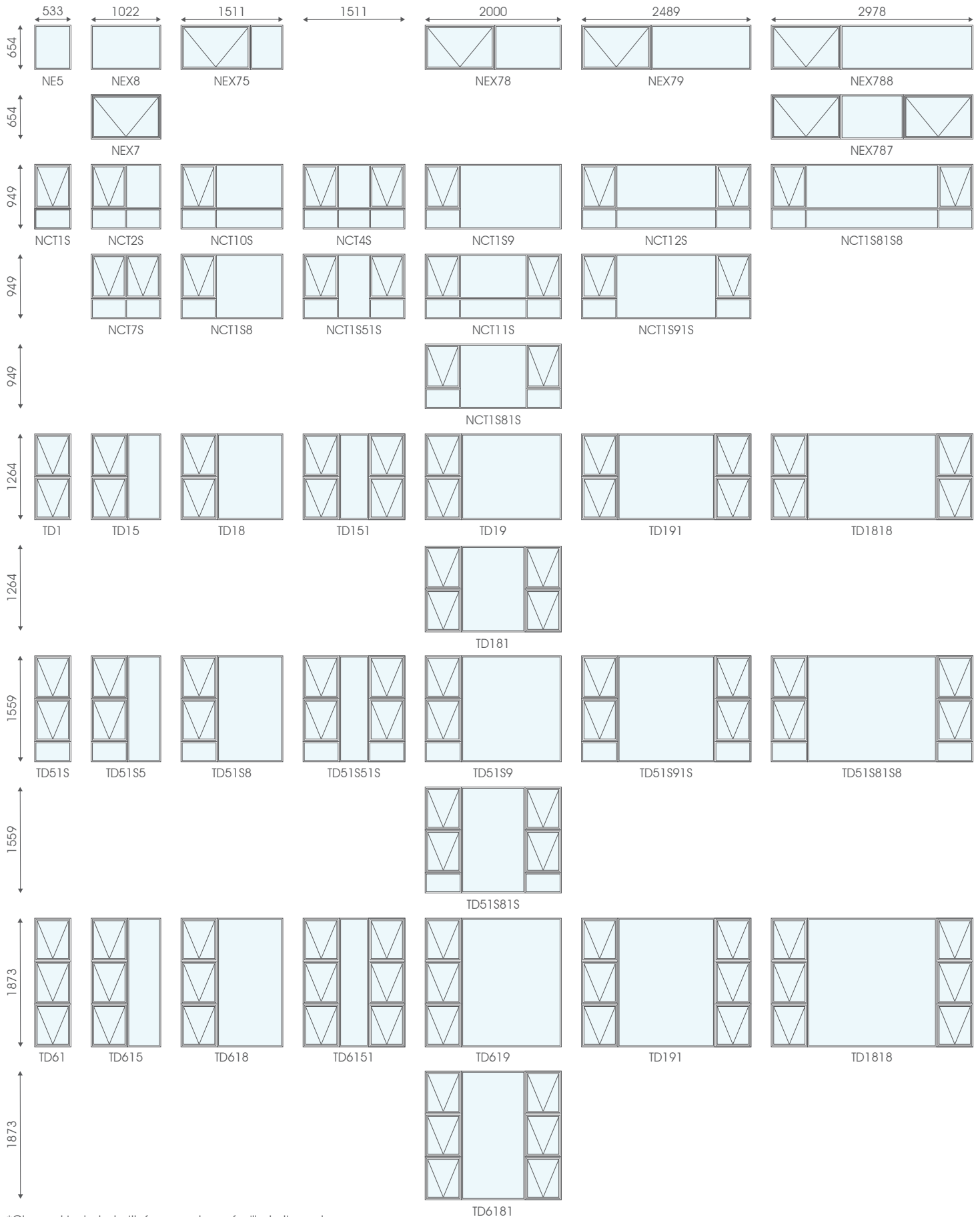
*Glass not included with frames - shown for illustration only
 All F7 Windows will have a width shortage of 25mm in comparison to your FX7 Window.

G/D50 Type - Height 1854mm



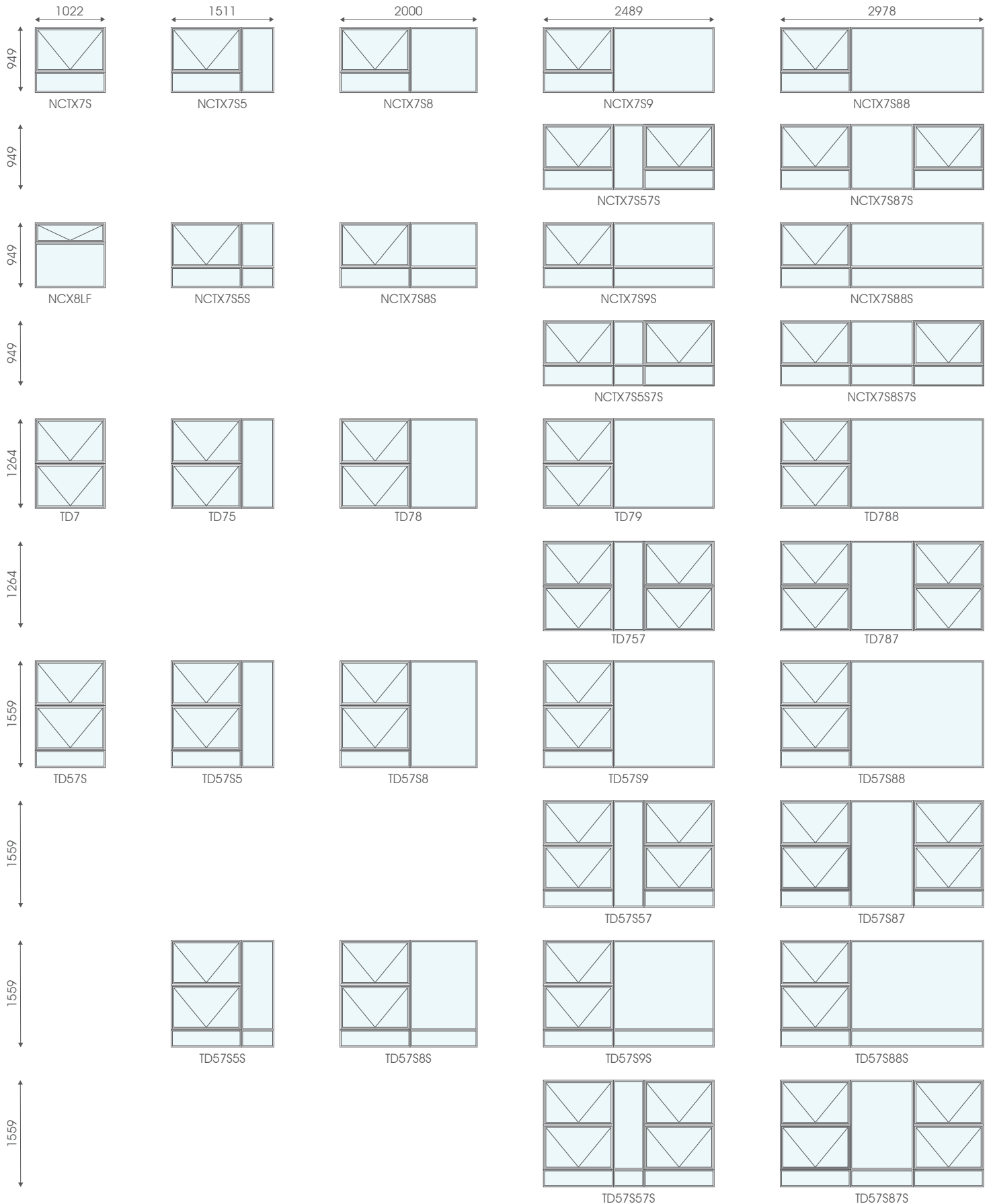
*Glass not included with frames - shown for illustration only
 All F7 Windows will have a width shortage of 25mm in comparison to your FX7 Window.

TD Type



*Glass not included with frames - shown for illustration only
 All F7 Windows will have a width shortage of 25mm in comparison to your FX7 Window.

TD Type



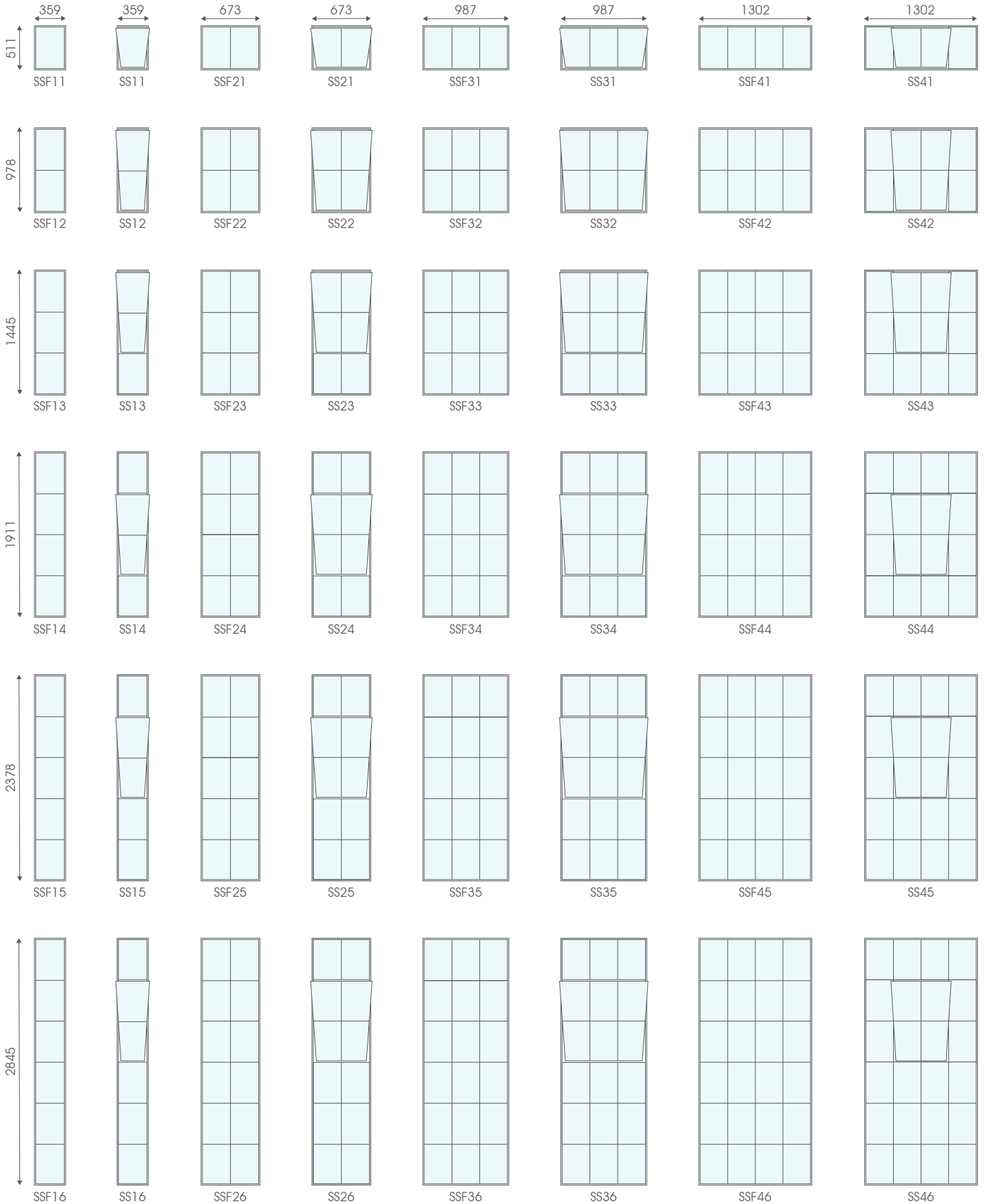
*Glass not included with frames - shown for illustration only
 All F7 Windows will have a width shortage of 25mm in comparison to your FX7 Window.

TD Type



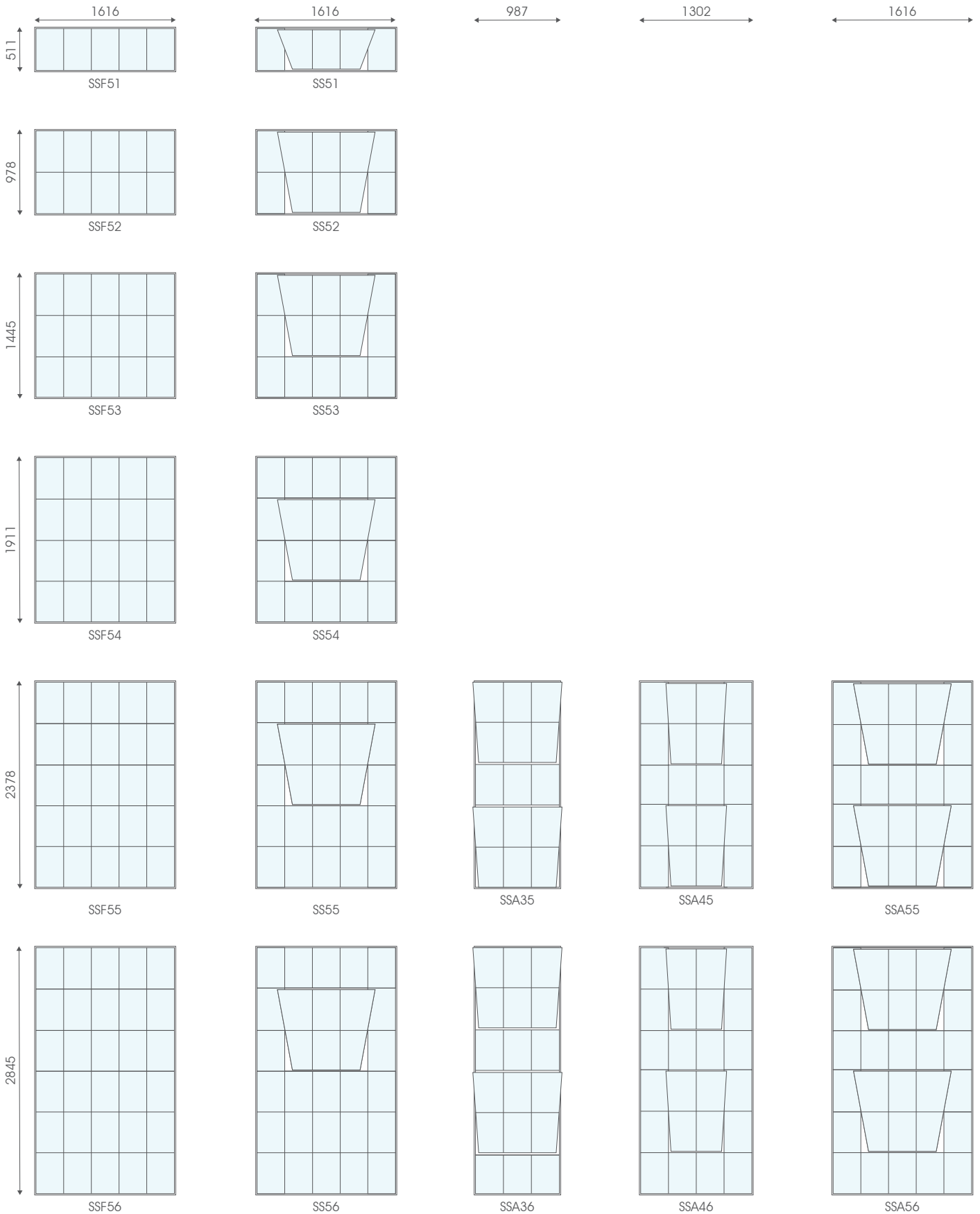
*Glass not included with frames - shown for illustration only
 All F7 Windows will have a width shortage of 25mm in comparison to your FX7 Window.

SS Industrial



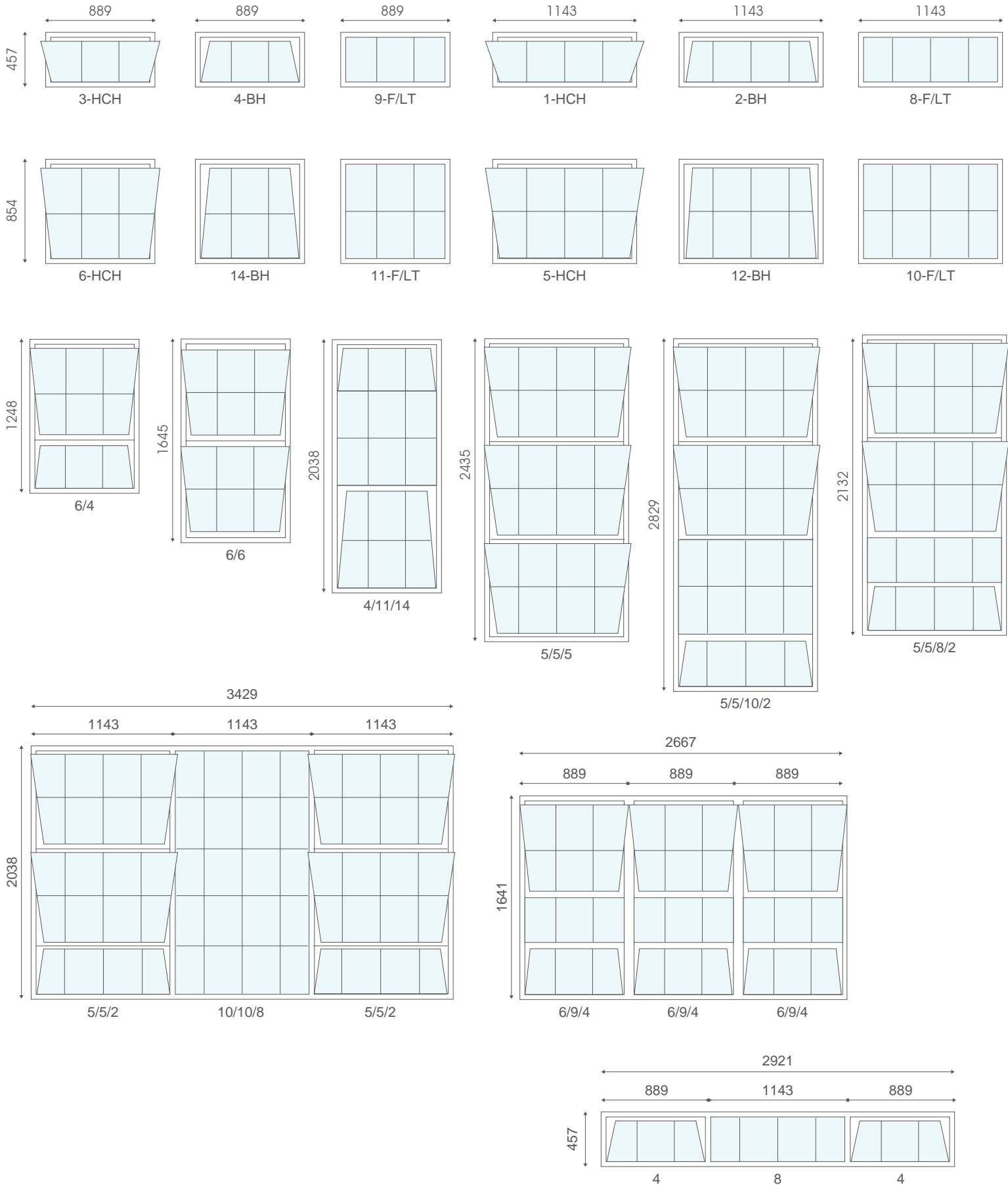
*Glass not included with frames - shown for illustration only
 All F7 Windows will have a width shortage of 25mm in comparison to your FX7 Window.

SS Industrial



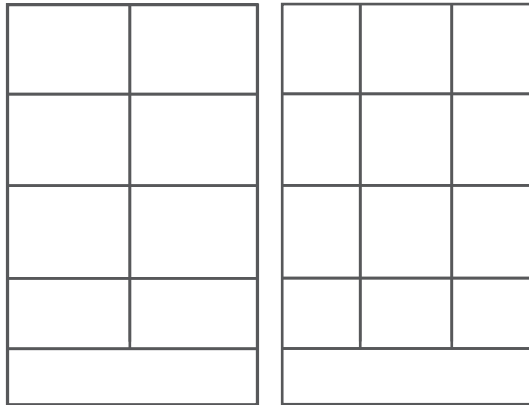
*Glass not included with frames - shown for illustration only
 All F7 Windows will have a width shortage of 25mm in comparison to your FX7 Window.

School Type



*Glass not included with frames - shown for illustration only
 All F7 Windows will have a width shortage of 25mm in comparison to your FX7 Window.

FLAT BAR - 20X4,5mm



B1

B2

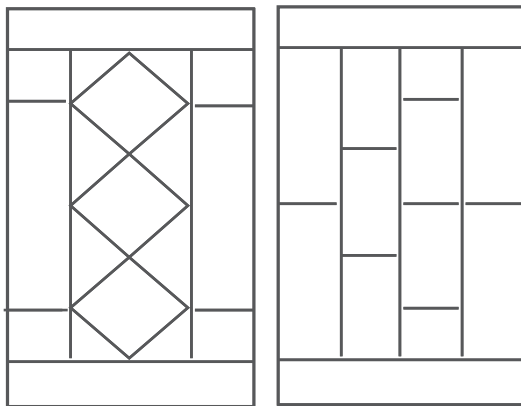
DIMENSIONS OF MATERIAL

4,5mm



20mm

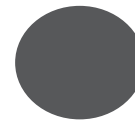
ROUND BAR - 10mm



B11

B33

10mm



Horizontal



10mm



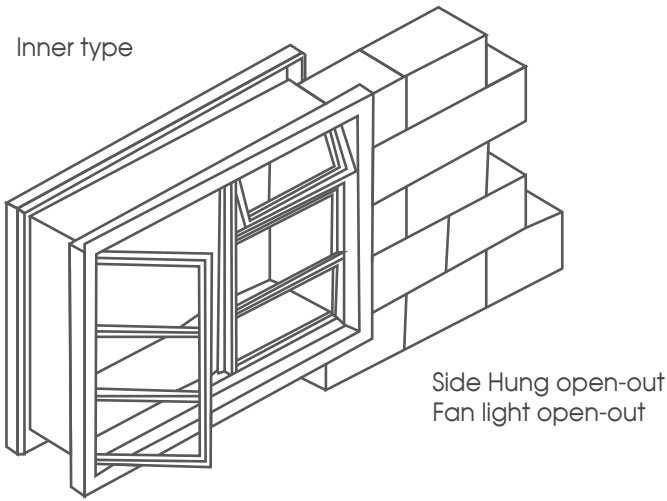
10mm

10mm square bars
at 150mm centres

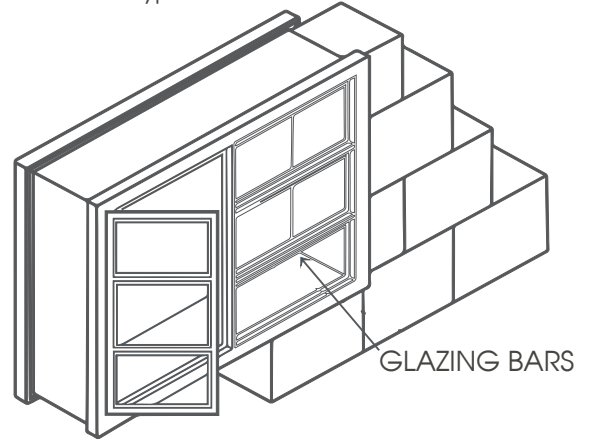
Note - Bars spaced 125mm centre to centre
Matching designs for fanlights available

Cliscoe Windows

Inner type

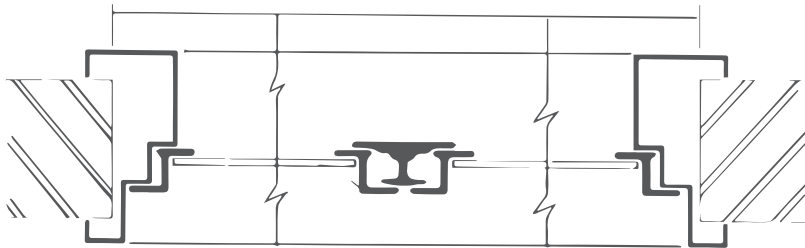


Outer type



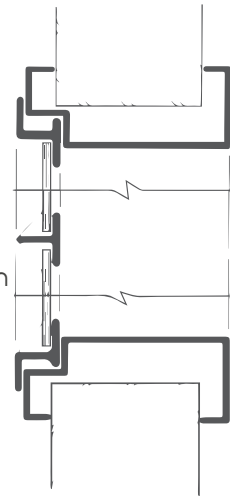
The inner type Cliscoe can be manufactured to suit all types of windows in the catalogue and to suit any block size.

The outer type Cliscoe can be manufactured to suit all types of windows in the catalogue and to suit any block size.

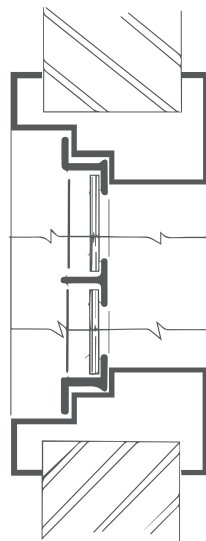


Typical cross-section viewed from the top.

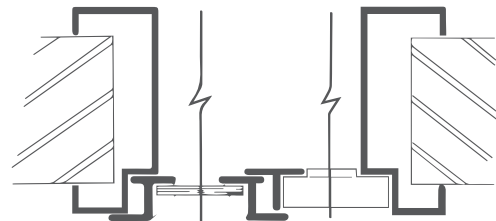
Typical cross-section as seen from top to bottom.



Flat sill



To suit customer block size.



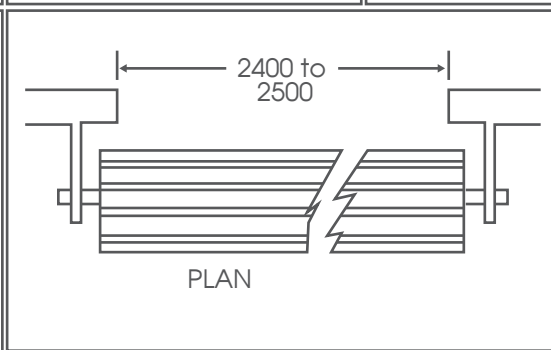
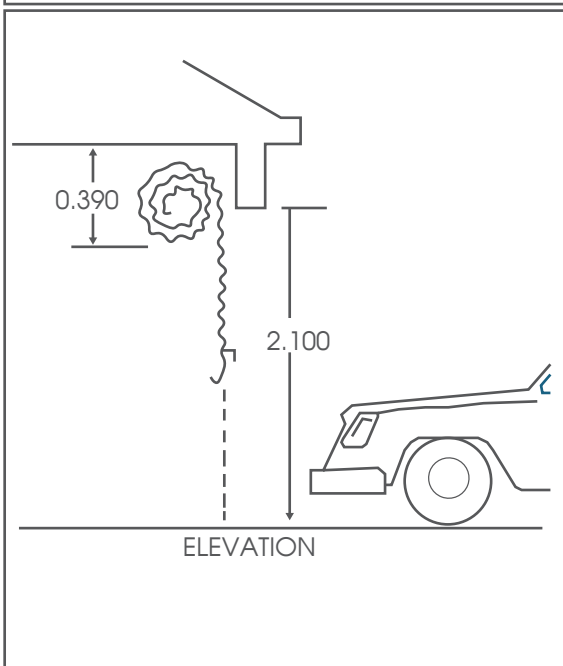
Side Hung open-out

Cliscoe Windows can be ordered in any window type configuration reflected in the previous pages

Specifications

Model	Builders Opening (Width x height)	Curtain Width	Width Inside Guide Rails
Matty 245 Roll-a-door	2400 x 2100	2450	2462
Matty Standard Roll-a-door	2500 x 2100	2550	2562
Matty Caravan	2500 x 2700	2550	2562
Matty 3M x 3M Door	3000 x 3000	3050	3062

<p>Headroom</p> <table border="1"> <thead> <tr> <th>MM HEADROOM</th> <th>A</th> <th>B</th> <th>C</th> <th>D</th> </tr> </thead> <tbody> <tr> <td>NORMAL</td> <td>390</td> <td>40</td> <td>120</td> <td>460</td> </tr> <tr> <td>RESTRICTED</td> <td>315</td> <td>40</td> <td>85</td> <td>460</td> </tr> </tbody> </table>	MM HEADROOM	A	B	C	D	NORMAL	390	40	120	460	RESTRICTED	315	40	85	460	<p>Side Room for a ROLL-A-DOOR only</p> <table border="1"> <thead> <tr> <th>MM</th> <th>E1</th> </tr> </thead> <tbody> <tr> <td>RECOMMENDED</td> <td>100</td> </tr> <tr> <td>MINIMUM</td> <td>85</td> </tr> </tbody> </table>	MM	E1	RECOMMENDED	100	MINIMUM	85	<p>Automation System</p> <p>Side Room Automation System</p> <table border="1"> <thead> <tr> <th>LH & RH</th> <th>E2</th> </tr> </thead> <tbody> <tr> <td>RECOMMENDED</td> <td>155</td> </tr> <tr> <td>MINIMUM</td> <td>130</td> </tr> </tbody> </table>	LH & RH	E2	RECOMMENDED	155	MINIMUM	130
MM HEADROOM	A	B	C	D																									
NORMAL	390	40	120	460																									
RESTRICTED	315	40	85	460																									
MM	E1																												
RECOMMENDED	100																												
MINIMUM	85																												
LH & RH	E2																												
RECOMMENDED	155																												
MINIMUM	130																												



Accessories

Unique design to provide efficient storage & full protection of your garage doors



Plastic Wheel



Spring



Tube End Cap



U Bolt



End Cap



Lock



Face Plate



Aluminium & Rubber Seal



Retainer



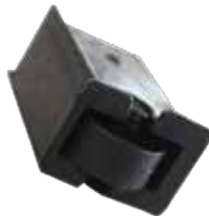
Wall Bracket



Channels



Nylofelt



Roller Guide

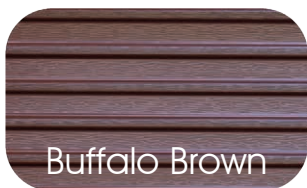


Handle



Locking Arm

Colours



Buffalo Brown



Charcoal



White



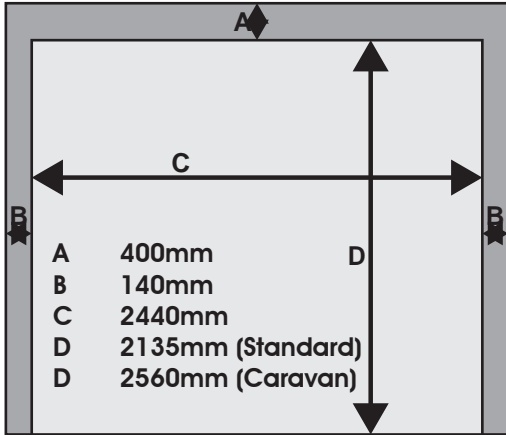
Zincalume



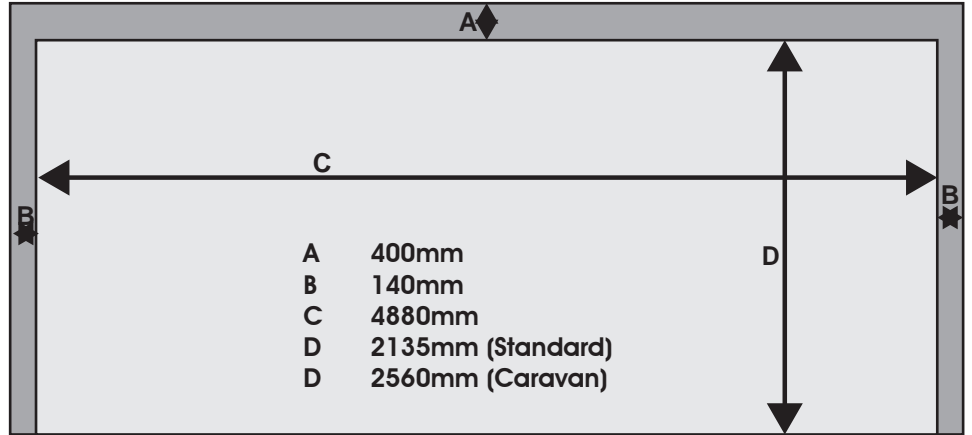
Traffic Green

Opening Sizes & Clearances

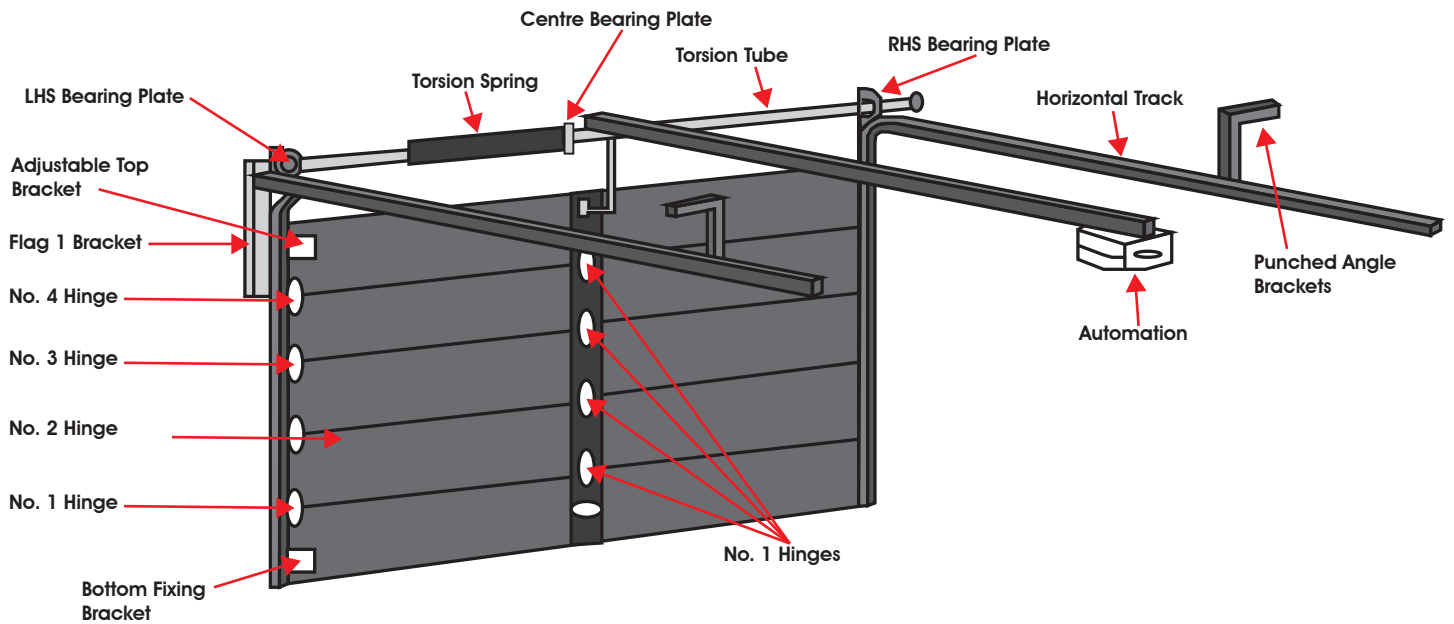
Single Door



Double Door



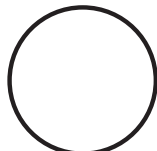
Hardware Mechanism



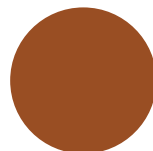
Colours Available



Bronze



White



Buffalo Brown



Charcoal



Colours Available



JET BLACK



STONE GREY



BRONZE



WHITE



CHARCOAL



BROWN

alu lux

VALUE LUX

Raised & Fielded

The Alu-Lux™ and Value-Lux™ garage doors, proudly crafted in South Africa, are meticulously manufactured and assembled right here. The design is tailor-made to withstand the challenging weather conditions commonly experienced in coastal regions. By choosing our garage doors, you not only gain peace of mind but also enjoy unparalleled quality that surpasses expectations.



Colours Available



JET BLACK



STONE GREY



BRONZE



WHITE



CHARCOAL



BROWN

Horizontal Garage Door

For many years, Super Doors has established itself as the premier producer of garage doors in South Africa. We are committed to providing you with the utmost excellence in cutting-edge designs, superior quality, top-notch safety features, and a wide range of options. Our renowned Alu-Lux™ and Value-Lux™ garage doors, crafted exclusively from the acclaimed Aluzinc material, guarantee that you receive nothing but the finest product available.



Finger Shield™

The side view of the pinch prevention patented panels, indicates the design innovation that will protect you and your family from serious hand or finger injuries. Together with this unique safety feature, it also has a higher than normal overlapping joint which seals each panel into the next. This prevents dust and rain penetrating the building.



Double Strength Intermediates & End Caps

Double lipped intermediate struts allow for double the glued surface. Larger glued surfaces, which consist of a polyurethane high modulus glue, has proven to be the best in adhering metal to metal, ensuring a 50% stronger bond.

The boxes end caps being fixed on both sides stabilizes the panel, preventing flexing and allows for stronger and more secure fixing of hinges and other hardware.

Properly fixed hinges ensure a smoother and quieter functioning door.



Super Drive SD-600N/SD-1000N Garage Door Openers

The garage door is usually the most used door in a home. The choice of a reliable and safe garage door opener is paramount.

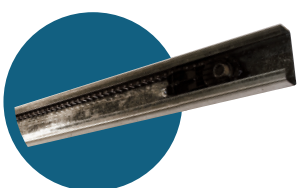
With smooth quiet operation with minimal transmitted vibration, the Super Drive™ motors are ideal for homes with living rooms close to the garage. The opener ensures a flexible soft start and stop during the end of the travel cycle, resulting in a reduction of speed and noise. The opener also comes standard with automatic obstacle detection.

For added security, rolling code technology prevents the 'stealing of codes' as this means a brand new code is generated every time the opener is used, keeping your family and belongings safe and secure.



Features

- 600/1000 Newton's Force
- Silent Operation
- Soft Start & Soft Stop
- Obstacle Detection Function
- Accurate Electronic Limits



CHAIN DRIVEN



2 REMOTES
(with brackets)



BATTERY
BACK-UP



EASY
PROGRAMMING



Carbella Charcoal



Keymore Bronze



+27 (11) 974 0024



www.robmeg.co.za



enquiries@robmeg.co.za



22 Monteer Road, Isando

