



*Matty
Doors*
Roll Up Garage Door

SD SUPER DOORS (Pty) Ltd
GARAGE DOOR MANUFACTURERS

GARAGE DOORS CATALOG

2024
2025

Welcome

Our company was established in February 2002 as a steel service centre focused on supplying steel-related products to the manufacturing industry.

Thanks to our team's extensive knowledge and skill, we quickly became one of the market leaders in steel and aluminium manufacturing of windows, doors & garage doors.

At Robmeg Steel, we are committed to manufacturing quality products that are both efficient and cost-effective. Our main pillars of quality and service ensure that we consistently deliver on our promises.

As a family-run business, we believe in treating our staff with equality, compassion, and respect. This approach has created a cohesive team that works together effectively, with a strong sense of camaraderie, dignity, and job satisfaction.

Innovation is a core part of our company culture, and we are proud to be market leaders in our product design. Our focus on innovation allows us to improve the quality and efficiency of our products continually.

We are excited to showcase our comprehensive range of products, which includes aluminium windows, doors, sliding doors, and folding doors, as well as metal windows and doors, and garage doors, including sectional garage doors.

At Robmeg Steel, we take great pride in providing our customers with a diverse selection of top-quality products. Our aluminium windows and doors are designed to be both stylish and durable, making them an excellent choice for any home or business. Our sliding doors are perfect for creating a seamless transition between indoor and outdoor spaces, while our folding doors offer an innovative and space-saving solution.

In addition to our aluminium products, we also offer a wide range of metal windows and doors. These products are built to last and provide excellent security and protection.

Our garage doors, including sectional garage doors, are designed to be both functional and stylish, adding value to any property.

We believe that our extensive product range reflects our commitment to providing our customers with the very best in quality and value. Whether you are looking for aluminium windows and doors, metal windows and doors, or garage doors, we are confident that we have the perfect product to meet your needs.

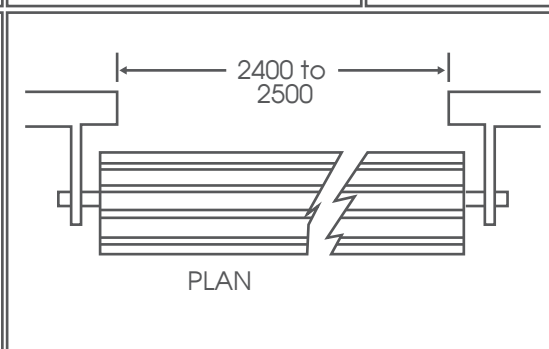
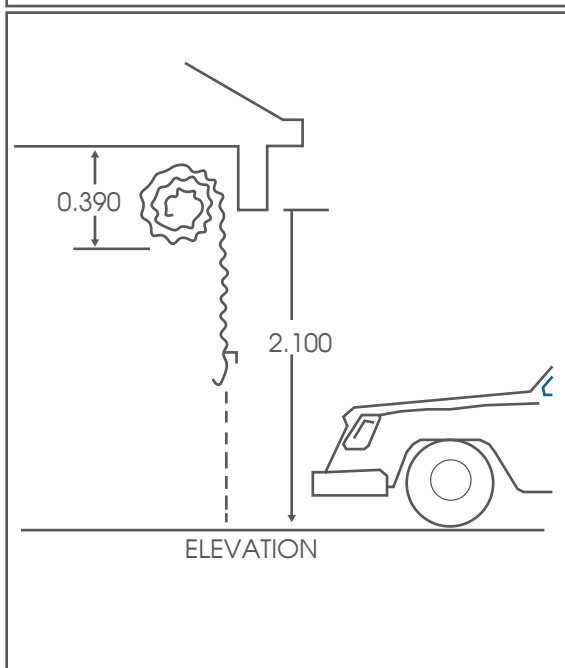
**Windows and doorways are
the openings to the world,
inviting us to embrace
endless opportunities.**



Specifications

Model	Builders Opening (Width x height)	Curtain Width	Width Inside Guide Rails
Matty 245 Roll-a-door	2400 x 2100	2450	2462
Matty Standard Roll-a-door	2500 x 2100	2550	2562
Matty Caravan	2500 x 2700	2550	2562
Matty 3M x 3M Door	3000 x 3000	3050	3062

<p>Headroom</p> <table border="1"> <thead> <tr> <th>MM HEADROOM</th> <th>A</th> <th>B</th> <th>C</th> <th>D</th> </tr> </thead> <tbody> <tr> <td>NORMAL</td> <td>390</td> <td>40</td> <td>120</td> <td>460</td> </tr> <tr> <td>RESTRICTED</td> <td>315</td> <td>40</td> <td>85</td> <td>460</td> </tr> </tbody> </table>	MM HEADROOM	A	B	C	D	NORMAL	390	40	120	460	RESTRICTED	315	40	85	460	<p>Side Room for a ROLL-A-DOOR only</p> <table border="1"> <thead> <tr> <th>MM</th> <th>E1</th> </tr> </thead> <tbody> <tr> <td>RECOMMENDED</td> <td>100</td> </tr> <tr> <td>MINIMUM</td> <td>85</td> </tr> </tbody> </table>	MM	E1	RECOMMENDED	100	MINIMUM	85	<p>Automation System</p> <p>Side Room Automation System</p> <table border="1"> <thead> <tr> <th>LH & RH</th> <th>E2</th> </tr> </thead> <tbody> <tr> <td>RECOMMENDED</td> <td>155</td> </tr> <tr> <td>MINIMUM</td> <td>130</td> </tr> </tbody> </table>	LH & RH	E2	RECOMMENDED	155	MINIMUM	130
MM HEADROOM	A	B	C	D																									
NORMAL	390	40	120	460																									
RESTRICTED	315	40	85	460																									
MM	E1																												
RECOMMENDED	100																												
MINIMUM	85																												
LH & RH	E2																												
RECOMMENDED	155																												
MINIMUM	130																												



Accessories

Unique design to provide efficient storage & full protection of your garage doors



Plastic Wheel



Spring



Tube End Cap



U Bolt



End Cap



Lock



Face Plate



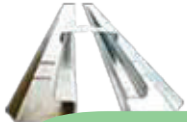
Aluminium & Rubber Seal



Retainer



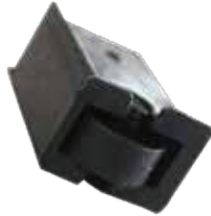
Wall Bracket



Channels



Nylofelt



Roller Guide

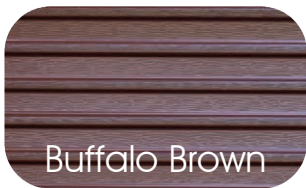


Handle



Locking Arm

Colours



Buffalo Brown



Charcoal



White



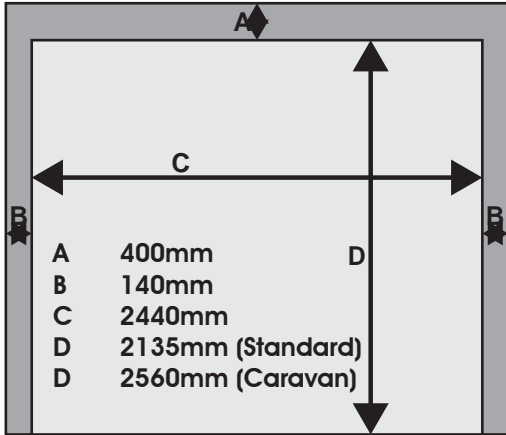
Zincalume



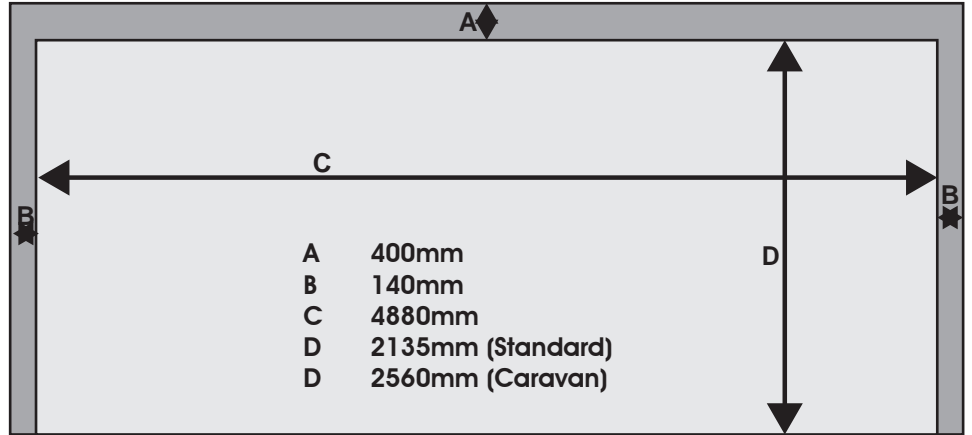
Traffic Green

Opening Sizes & Clearances

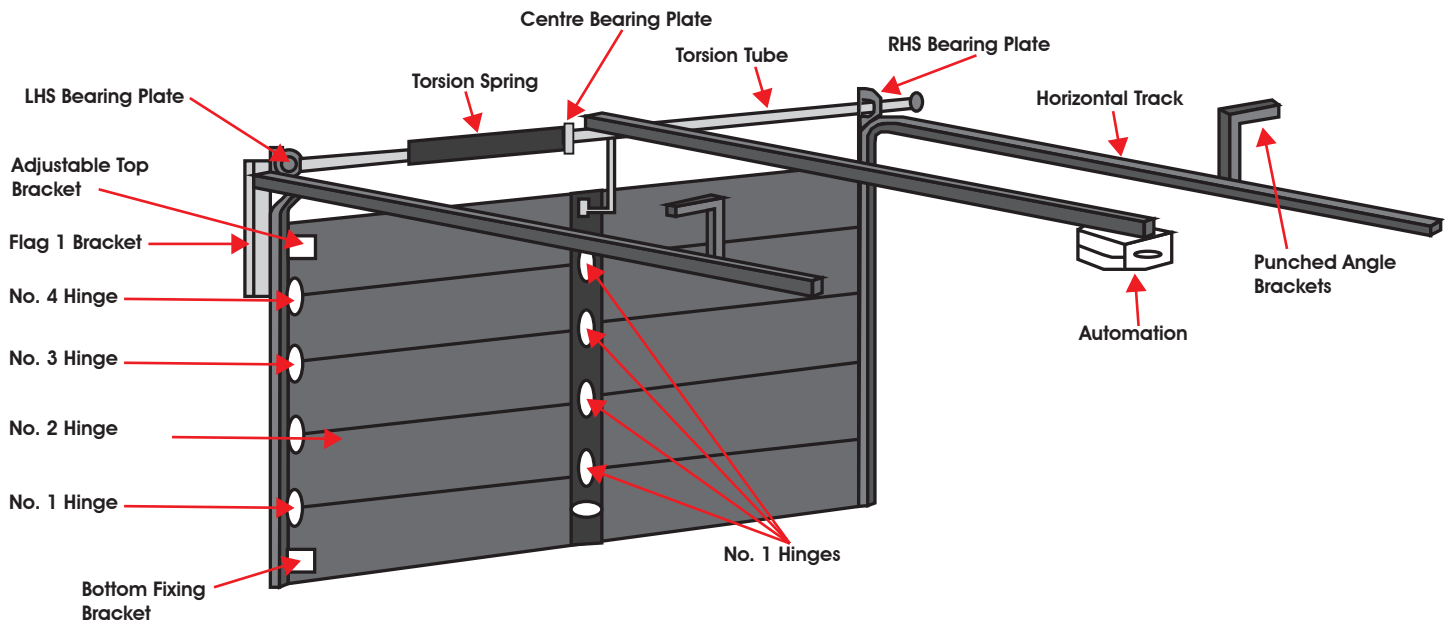
Single Door



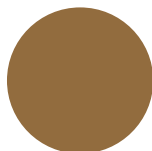
Double Door



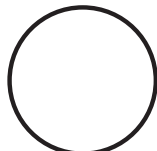
Hardware Mechanism



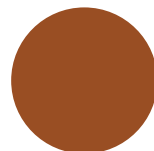
Colours Available



Bronze



White



Buffalo Brown



Charcoal



Colours Available



JET BLACK



STONE GREY



BRONZE



WHITE



CHARCOAL



BROWN

alu lux

VALUE LUX

Raised & Fielded

The Alu-Lux™ and Value-Lux™ garage doors, proudly crafted in South Africa, are meticulously manufactured and assembled right here. The design is tailor-made to withstand the challenging weather conditions commonly experienced in coastal regions. By choosing our garage doors, you not only gain peace of mind but also enjoy unparalleled quality that surpasses expectations.



Colours Available



JET BLACK



STONE GREY



BRONZE



WHITE



CHARCOAL



BROWN

alu lux

VALUE LUX

Horizontal Garage Door

For many years, Super Doors has established itself as the premier producer of garage doors in South Africa. We are committed to providing you with the utmost excellence in cutting-edge designs, superior quality, top-notch safety features, and a wide range of options. Our renowned Alu-Lux™ and Value-Lux™ garage doors, crafted exclusively from the acclaimed Aluzinc material, guarantee that you receive nothing but the finest product available.



Finger Shield™

The side view of the pinch prevention patented panels, indicates the design innovation that will protect you and your family from serious hand or finger injuries. Together with this unique safety feature, it also has a higher than normal overlapping joint which seals each panel into the next. This prevents dust and rain penetrating the building.



Double Strength Intermediates & End Caps

Double lipped intermediate struts allow for double the glued surface. Larger glued surfaces, which consist of a polyurethane high modulus glue, has proven to be the best in adhering metal to metal, ensuring a 50% stronger bond.

The boxes end caps being fixed on both sides stabilizes the panel, preventing flexing and allows for stronger and more secure fixing of hinges and other hardware.

Properly fixed hinges ensure a smoother and quieter functioning door.



Super Drive SD-600N/SD-1000N Garage Door Openers

The garage door is usually the most used door in a home. The choice of a reliable and safe garage door opener is paramount.

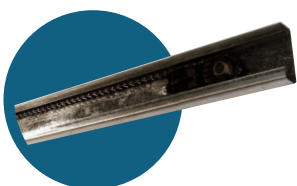
With smooth quiet operation with minimal transmitted vibration, the Super Drive™ motors are ideal for homes with living rooms close to the garage. The opener ensures a flexible soft start and stop during the end of the travel cycle, resulting in a reduction of speed and noise. The opener also comes standard with automatic obstacle detection.

For added security, rolling code technology prevents the 'stealing of codes' as this means a brand new code is generated every time the opener is used, keeping your family and belongings safe and secure.



Features

- 600/1000 Newton's Force
- Silent Operation
- Soft Start & Soft Stop
- Obstacle Detection Function
- Accurate Electronic Limits



CHAIN DRIVEN



2 REMOTES
(with bracket)



BATTERY
BACK-UP



EASY
PROGRAMMING



Carbella Charcoal



Keymore Bronze



+27 (11) 974 0024



www.robmeg.co.za



enquiries@robmeg.co.za



22 Monteer Road, Isando

